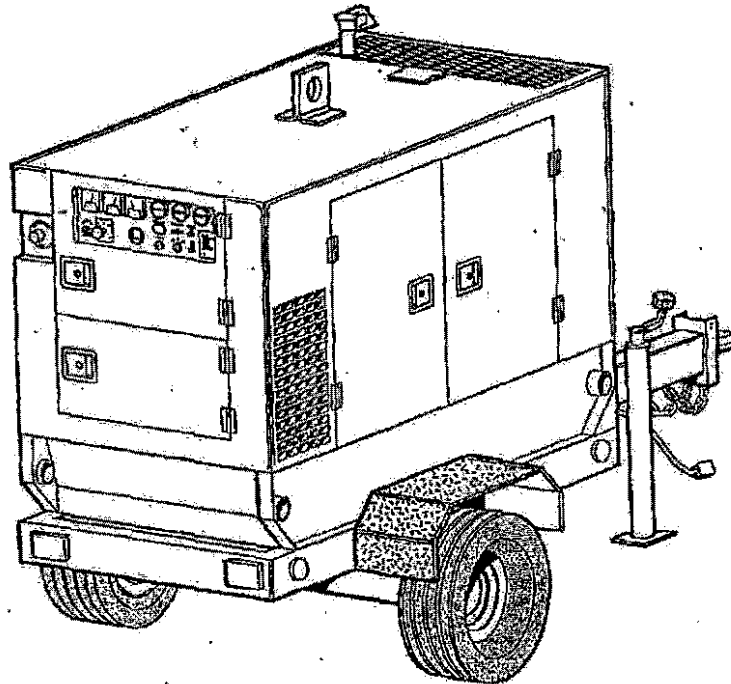


PARTS LIST

MOBILE DIESEL GENERATOR

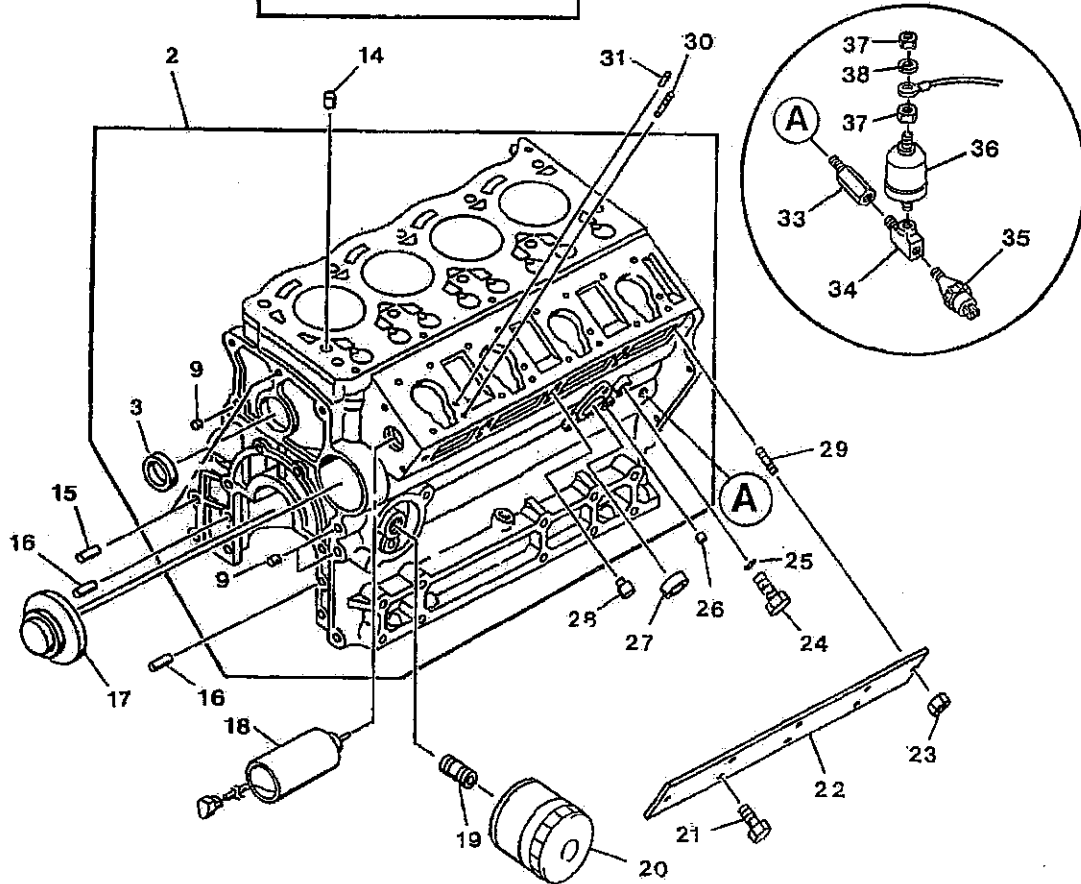
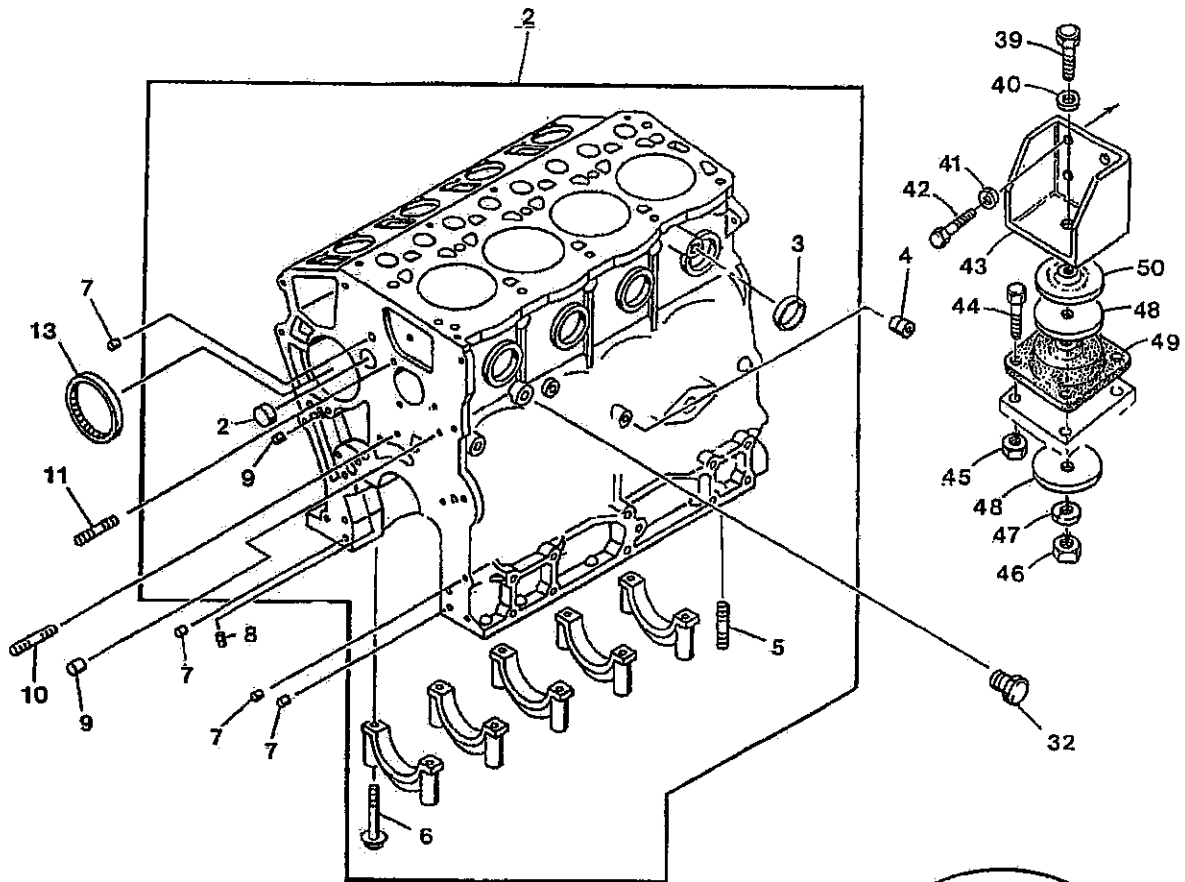


NAI 25 KVA

NICHIMEN AMERICA INC.
222 N. La Salle Street Suite 999
Chicago, IL 60601

PN47900

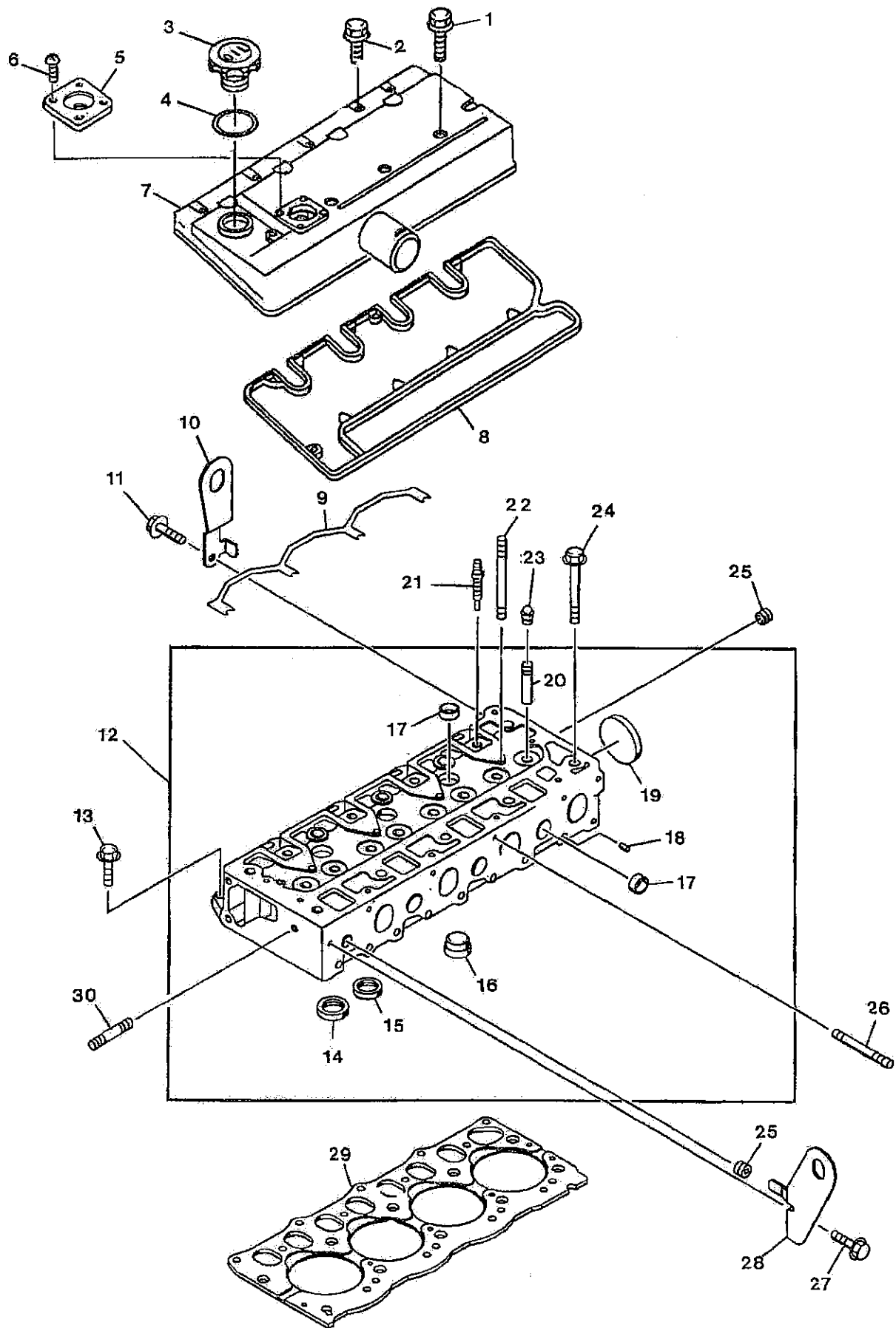
MODEL 25.0 TRD - CYLINDER BLOCK



MODEL 25.0 TRD - CYLINDER BLOCK

REF	PN	NAME	REMARKS	QTY
1	047892	ENGINE	ASSEMBLY	1
2	047563	BLOCK	BARE	1
3	047440	PLUG	EXPANSION 35MM	5
4	047381	PLUG	1/4 BSPT	1
5	047592	STUD	SUMP M 6x16	2
6	047424	BOLT	MAIN BEARING CAP	10
7	047623	DOWEL		4
8	047613	PLUG	OIL GALLERY	1
9	047391	PLUG	OIL GALLERY	5
10	047933	STUD	TIMING CASE M 8x50	1
11	047591	STUD	WATER PUMP M 8x40	1
12	047569	PLUG	EXPANSION 22MM	1
13	047486	BEARING	NEEDLE	1
14	047438	DOWEL		2
15	047599	DOWEL		2
16	047619	DOWEL		2
17	047487	PLUG	THRUST	1
18	047566	SOLENOID	FUEL 12VDC	1
19	047447	NIPPLE	OIL FILTER	1
20	047457	FILTER	OIL	1
21	047357	CAPSCREW	M 6x14 JIS-FLANGE 8T	5
22	047528	COVER	BLOCK SIDE	1
23	036211	NUT	M 6 JIS-FLANGE	2
24	047392	PLUG		1
25	047616	WASHER	BANJO M14	1
26	047394	PLUG	1/8 BSPT	1
27	047380	PLUG	EXPANSION 32MM DIN 443	1
28	047473	PIN		1
29	047592	STUD	M 6x16	2
30	047378	STUD	INJECTION PUMP M 8x36	8
31	047620	DOWEL		2
32	047618	PLUG	DRAIN 1/4 BSPT	1
33	024844	ADAPTER		1
34	035145	TEE	1/8 NPT STREET	1
35	037323	SWITCH	OIL PRESSURE	1
36	024132	SENDER	OIL PRESSURE	1
37	038147	NUT	10-32 HEX SS	2
38	038149	LOCKWASHER	10 SS	1
39	031713	CAPSCREW	1/2NCx3	2
40	031777	WASHER	FLAT 1/2	2
41	019262	LOCKWASHER	M10 DIN 127	8
42	024951	CAPSCREW	M10x1.25x20 DIN 961	8
43	046761	MOUNT	FRONT	2
44	031553	CAPSCREW	5/16NCx3/4	8
45	200127	NUT	5/16NC KEPS	8
46	031774	NUT	1/2NC	2
47	031776	LOCKWASHER	1/2	2
48	024674	WASHER	ISOLATOR SNUBBING	4
49	015238	ISOLATOR		2
50	033530	SHIELD	ISOLATOR	2

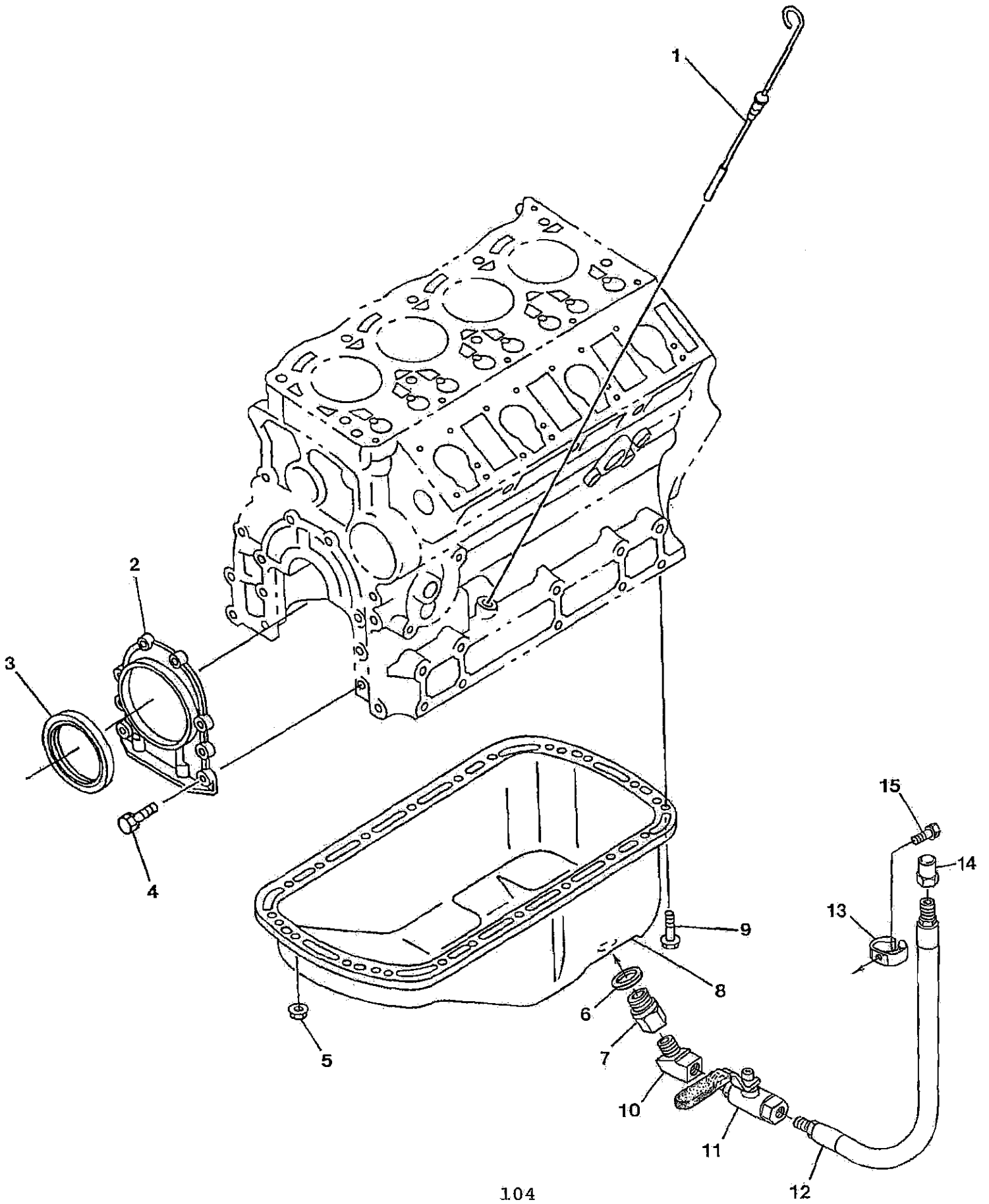
MODEL 25.0 TRD - CYLINDER HEAD



MODEL 25.0 TRD - CYLINDER HEAD

REF	PN	NAME	REMARKS	QTY
1	047361	CAPSCREW	M 6x45 JIS-FLANGE 8T	5
2	047358	CAPSCREW	M 6x20 JIS-FLANGE 8T	5
3	047419	CAP	OIL FILL	1
4	047414	GASKET	OIL FILL CAP	1
5	047448	VALVE	PCV.	1
6	047596	SCREW	M 4x10 w/LOCKWASHER	4
7	047526	COVER	ROCKER	1
8	047529	GASKET	ROCKER COVER	1
9	047562	STRAP	GLOWPLUG CONNECTING	1
10	047503	EYE	LIFTING FRONT	1
11	047363	CAPSCREW	M 8x16 JIS-FLANGE 8T	1
12	047521	HEAD	CYLINDER	1
13	047458	BOLT	CYLINDER HEAD M 8x25	5
14	047481	SEAT	VALVE EXHAUST	4
15	047480	SEAT	VALVE INTAKE	4
16	047523	INSERT	COMBUSTION	4
17	047569	PLUG	EXPANSION 22	6
18	047590	PLUG	TAPER 8MM	10
19	047379	PLUG	EXPANSION 45MM DIN 443	1
20	047589	GUIDE	VALVE	8
21	047512	GLOWPLUG	12 VDC	4
22	047508	STUD	ROCKER BRACKET	6
23	047412	SEAL	OIL-VALVE GUIDE	8
24	047471	BOLT	CYLINDER HEAD M12x89	10
25	047393	PLUG	3/8 BSPT	2
26	047386	STUD	EXHAUST MANIFOLD M 8x79	2
27	047363	CAPSCREW	M 8x16 JIS-FLANGE 8T	1
28	047504	EYE	LIFTING REAR	1
29	047568	GASKET	HEAD	1
30	047591	STUD	M 8x40	1

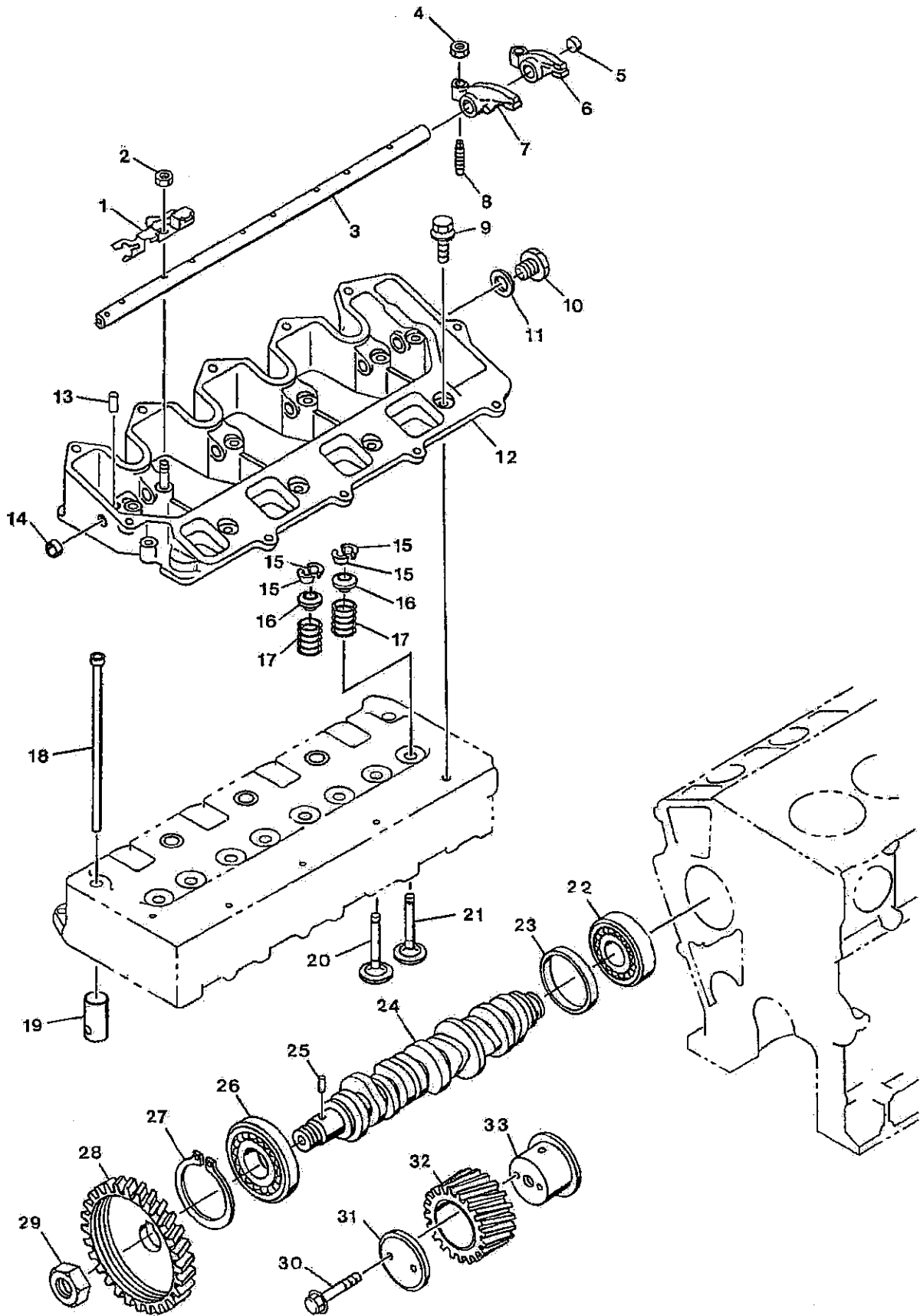
MODEL 25.0 TRD - OIL SUMP



MODEL 25.0 TRD - OIL SUMP

REF	PN	NAME	REMARKS	QTY
1	047454	DIPSTICK		1
2	047478	FLANGE	OIL SEAL CRANKSHAFT REAR	1
3	047491	SEAL	OIL	1
4	047358	CAPSCREW	M 6x20 JIS-FLANGE 8T	6
5	047542	NUT	M 6 JIS W/WASHER	2
6	040201	WASHER		1
7	047078	ADAPTER	M20 TO 3/8 NPT	1
8	047552	SUMP	OIL	1
9	047540	CAPSCREW	M 6x13 W/WASHER	20
10	013337	ELBOW	3/8 NPT STREET 45	1
11	047192	VALVE	BALL 3/8 NPT	1
12	046763	HOSE	SUMP DRAIN	1
13	047194	CLIP		1
14	047193	CAP	3/8 NPT	1
15	042916	SCREW	10x3/4 TAPPING	1

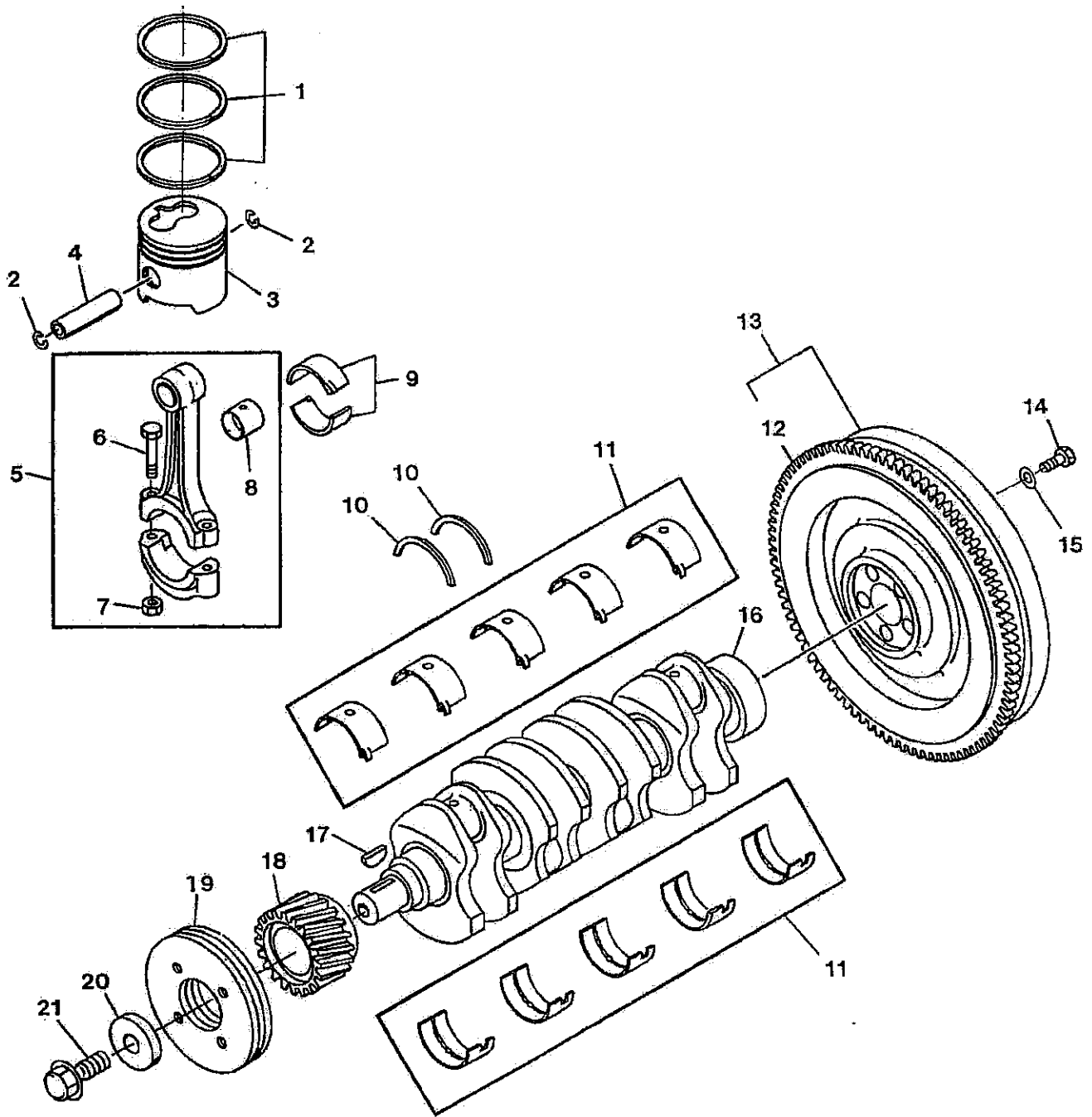
MODEL 25.0 TRD - CAMSHAFT - ROCKER SHAFT - VALVES



MODEL 25.0 TRD - CAMSHAFT - ROCKER SHAFT - VALVES

REF	PN	NAME	REMARKS	QTY
1	047497	SPRING	ROCKER SHAFT	1
2	036211	NUT	M 6 JIS-FLANGE	6
3	047527	SHAFT	ROCKER	1
4	047605	NUT	ROCKER ADJUST	8
5	047474	PLUG		1
6	047574	ROCKER	EXHAUST	4
7	047573	ROCKER	INTAKE	4
8	047459	SCREW	ROCKER ADJUST	8
9-1	047362	CAPSCREW	M 6x50 JIS-FLANGE 8T	5
9-2	047359	CAPSCREW	M 6x25 JIS-FLANGE 8T	5
10	047625	PLUG	M14x1.5	1
11	047615	WASHER		
12	047532	BRACKET	ROCKER	1
13	047601	PIN	SPRING	1
14	047391	PLUG		1
15	047442	COLLET		16
16	047443	SEAT	VALVE SPRING	8
17	047468	SPRING	VALVE	8
18	047496	PUSHROD		8
19	047530	TAPPET		8
20	047509	VALVE	INTAKE	4
21	047483	VALVE	EXHAUST	4
22	047595	BEARING	BALL	1
23	047493	RING	CAMSHAFT	1
24	047549	CAMSHAFT	INCL REF 22 THRU 26	1
25	047621	DOWEL	CAMSHAFT	1
26	047449	BEARING	BALL	1
27	047610	RING	RETAINING	1
28	047510	GEAR	CAMSHAFT	1
29	047388	NUT	CAMSHAFT GEAR	1
30	047372	CAPSCREW	M 8x45 JIS-FLANGE 9T	1
31	047403	PLATE	THRUST	1
32	047537	GEAR	IDLER INCL BUSHING	1
33	047536	SHAFT	IDLER GEAR	1

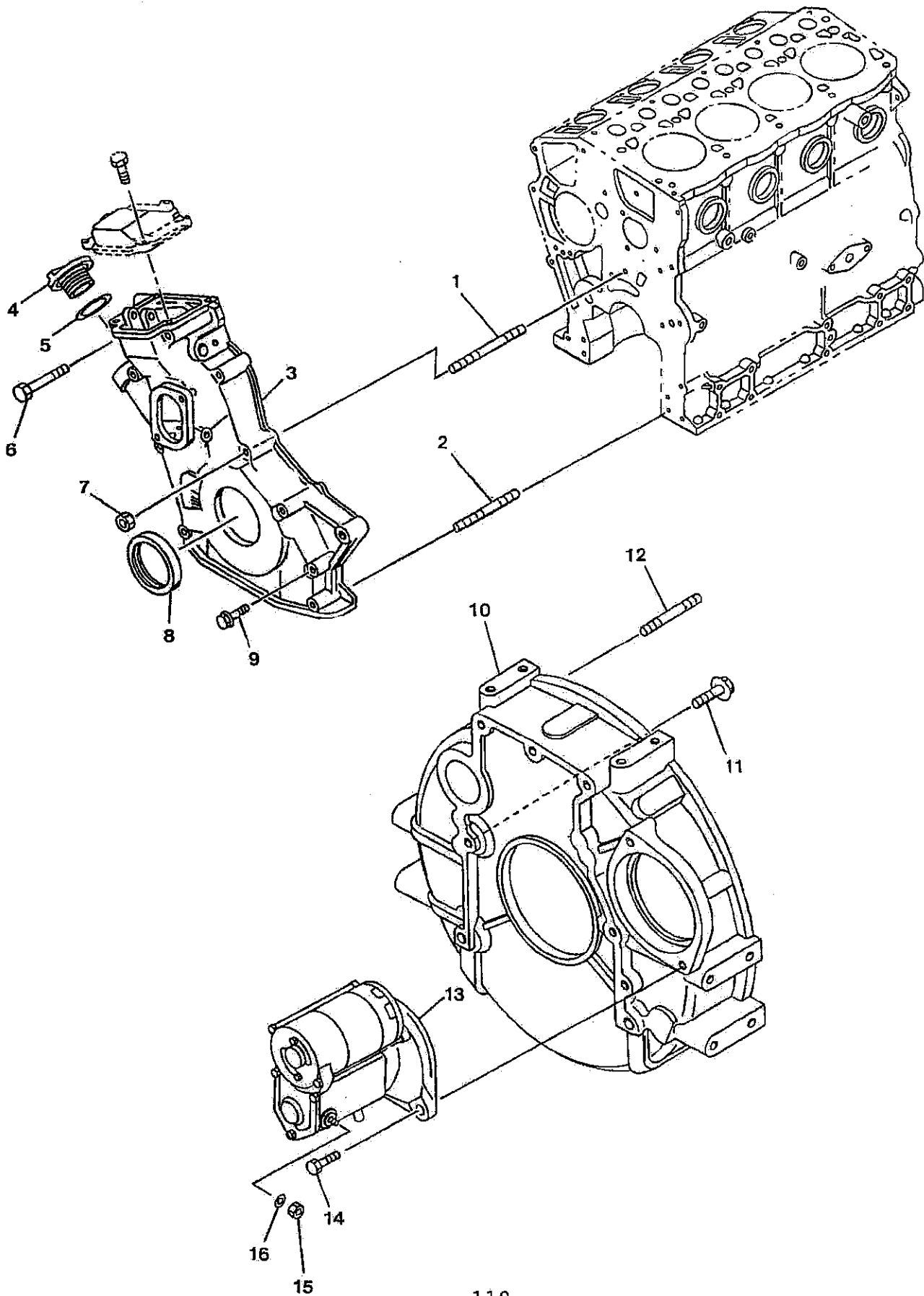
MODEL 25.0 TRD - CRANKSHAFT - PISTONS - FLYWHEEL



MODEL 25.0 TRD - CRANKSHAFT - PISTONS - FLYWHEEL

REF	PN	NAME	REMARKS	QTY
1-1	047544	RING SET	STD	4
1-2	047545	RING SET	0.25	4
2	047413	RING	RETAINING	8
3-1	047567	PISTON	STD	4
3-2	047505	PISTON	0.25	4
4	047402	PIN	PISTON	4
5	047485	ROD	CONNECTING	4
6	047437	BOLT	CONNECTING ROD	8
7	047439	NUT	CONNECTING ROD BOLT	8
8	047575	BUSHING	CONNECTING ROD	4
9	047423	BEARING	SET CONNECTING ROD STD	4
10	047401	WASHER	THRUST	2
11	047546	BEARING	SET MAIN STD	1
12	047453	GEAR	RING	1
13	047561	FLYWHEEL	ASSEMBLY	1
14	047420	BOLT	FLYWHEEL	6
15	047465	WASHER	FLYWHEEL BOLT	6
16	047522	CRANKSHAFT		1
17	047436	KEY	WOODRUFF	1
18	047466	GEAR	CRANKSHAFT	1
19	047513	PULLEY	CRANKSHAFT	1
20	047421	WASHER	CRANKSHAFT PULLEY	1
21	047452	BOLT	CRANKSHAFT PULLEY	1

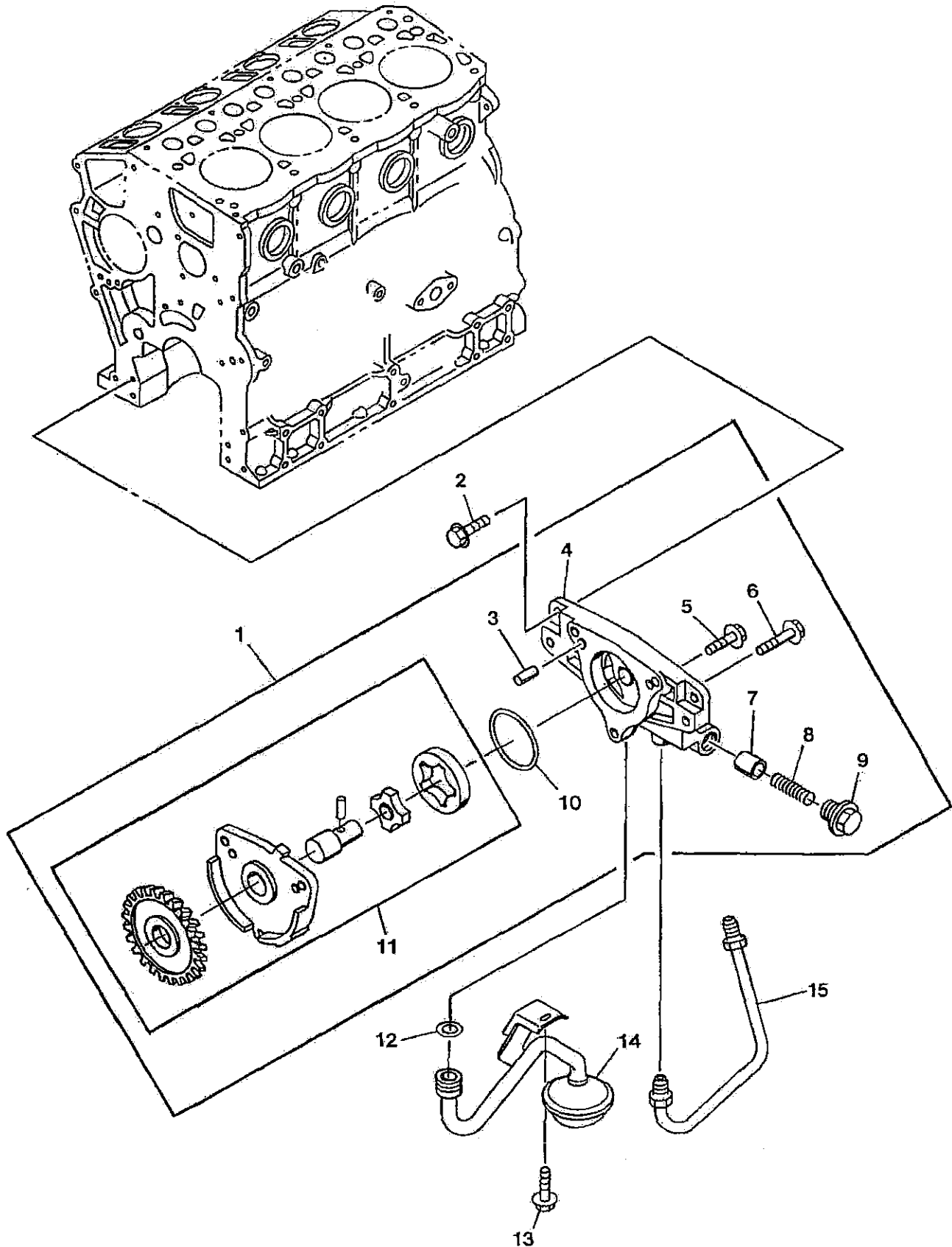
MODEL 25.0 TRD - TIMING CASE - FLYWHEEL HOUSING - STARTER



MODEL 25.0 TRD - TIMING CASE - FLYWHEEL HOUSING - STARTER

REF	PN	NAME	REMARKS	QTY
1	047933	STUD	M 8x50	1
2	047598	STUD	M 8x60	1
3	047578	CASE	TIMING	1
4	047455	CAP	OIL FILL INCL GASKET	1
5	047414	GASKET	OIL FILL CAP	1
6	047369	CAPSCREW	M 8x80 JIS-FLANGE 8T	2
7	033668	NUT	M 8 JIS-FLANGE	2
8	047491	SEAL	OIL	1
9	047373	CAPSCREW	M 8 x 60 JIS-FLANGE 9T	6
10	047594	HOUSING	FLYWHEEL	1
11	047375	CAPSCREW	M10x25 JIS-FLANGE 8T	4
12	047415	STUD	HOUSING	2
13	047541	MOTOR	STARTER 12 VDC	1
14	047376	CAPSCREW	M12x30 JIS-FLANGE 8T	2
15	031802	NUT	M 8 DIN 936	1
16	031786	LOCKWASHER	M 8 DIN 127	1

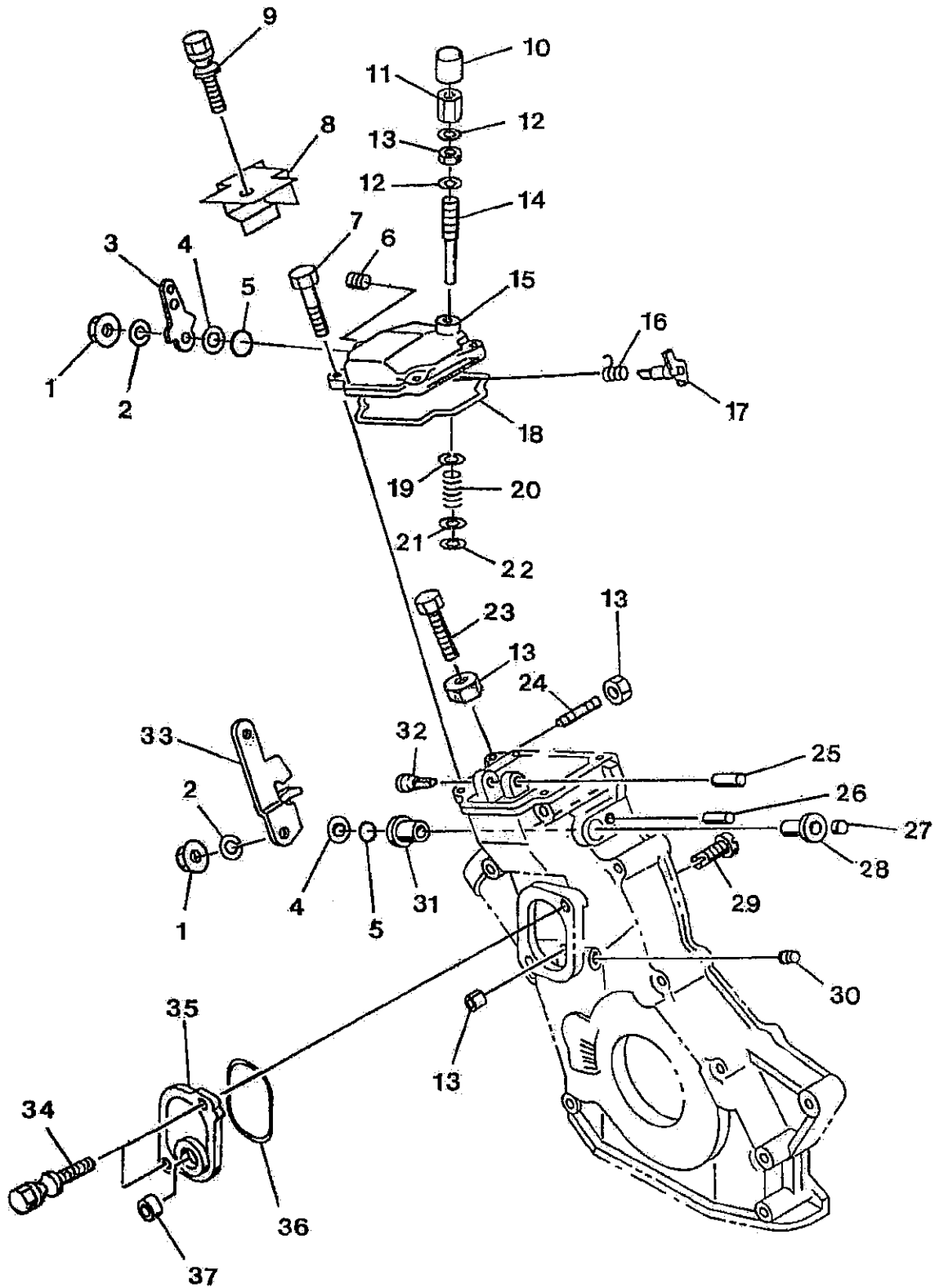
MODEL 25.0 TRD - LUBE OIL PUMP



MODEL 25.0 TPD - LUBE OIL PUMP

REF	PN	NAME	REMARKS	QTY
1	047488	PUMP	OIL	1
2	047365	CAPSCREW	M 8x30 JIS-FLANGE 8T	4
3	047619	DOWEL		2
4	047489	BODY	OIL PUMP	1
5	047360	CAPSCREW	M 6x30 JIS-FLANGE 8T	2
6	047362	CAPSCREW	M 6x50 JIS-FLANGE 8T	1
7	047441	VALVE	OIL RELIEF	1
8	047520	SPRING	OIL RELIEF VALVE	1
9	047408	PLUG	OIL RELIEF VALVE	1
10	047514	O-RING		1
11	047479	ROTOR	OIL PUMP ASSEMBLY	1
12	047383	GASKET	STRAINER TO OIL PUMP	1
13	047363	CAPSCREW	M 8x16 JIS-FLANGE 8T	1
14	047524	STRAINER	OIL PICKUP	1
15	047482	LINE	OIL PUMP TO BLOCK	1

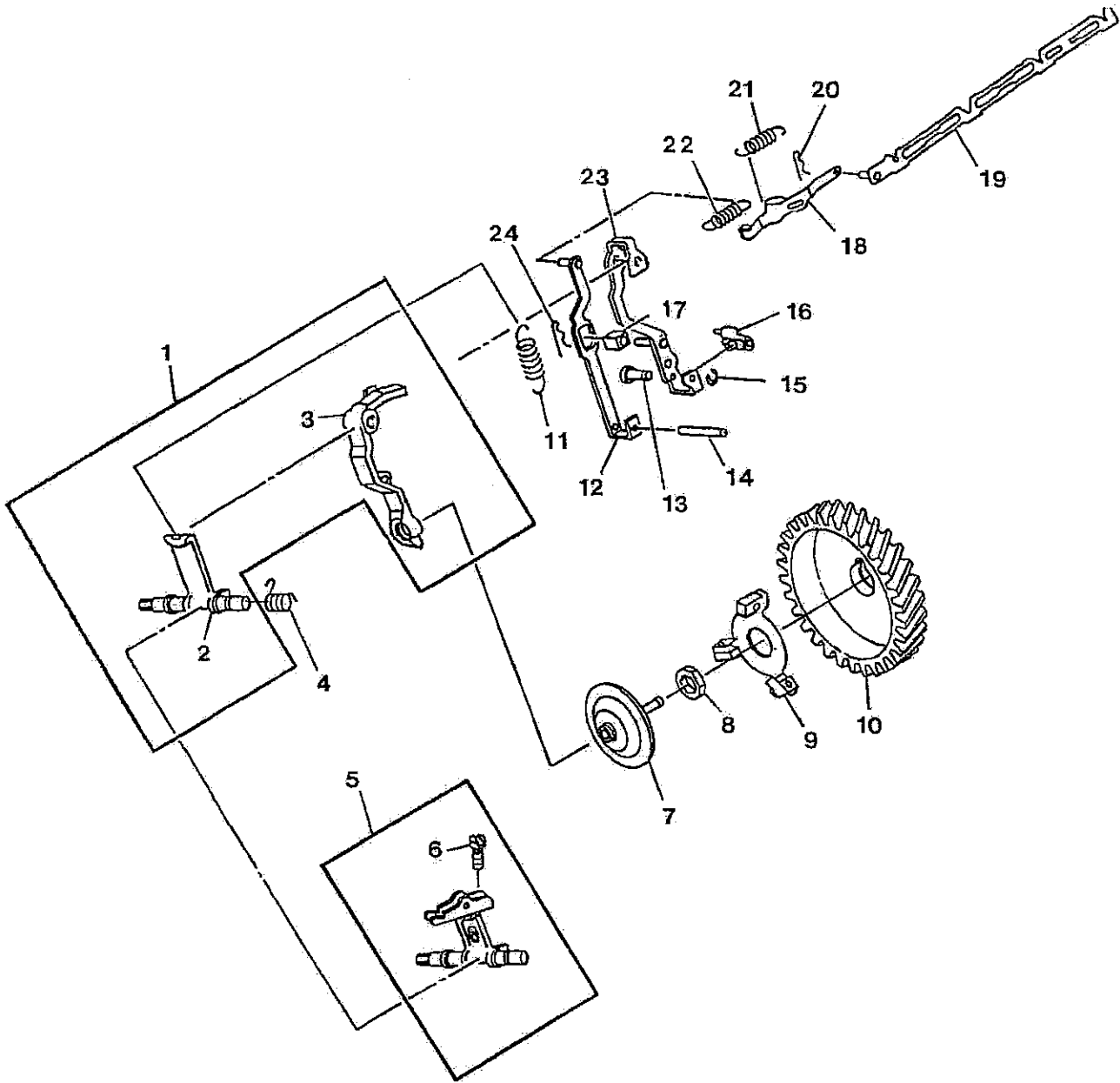
MODEL 25.0 TRD - GOVERNOR EXTERNAL COMPONENTS



MODEL 25.0 TRD - GOVERNOR EXTERNAL COMPONENTS

REF	PN	NAME	REMARKS	QTY
1	047607	NUT	M 8 JIS	2
2	031786	LOCKWASHER	M 8 DIN 127	2
3	047462	LEVER	FUEL SHUTOFF	1
4	047390	WASHER		2
5	047622	O-RING		2
6	047381	PLUG	1/4 BSPT	1
7	047358	CAPSCREW	M 6x20 JIS-FLANGE 8T	3
8	047531	COVER	SECURITY	1
9	047539	CAPSCREW	SECURITY M 6x22	1
10	047405	CAP		1
11	047387	NUT	CAP	1
12	047389	GASKET		2
13	047605	NUT	M 6	4
14	047461	SCREW	IDLE SPRING ADJUST	1
15	047560	COVER	GOVERNOR	1
16	047475	SPRING	STOP LEVER	1
17	047934	SHAFT	STOP LEVER	1
18	047495	GASKET	GOVERNOR COVER	1
19	047609	WASHER	IDLE SPRING UPPER	1
20	047463	SPRING	IDLE	1
21	047608	WASHER	IDLE SPRING LOWER	1
22	047611	RING	RETAINING	1
23	047377	CAPSCREW	M 6x50 JIS 8T	1
24	047446	SCREW	HIGH SPEED SET	1
25	047603	SHAFT		1
26	047600	PIN	SPRING	1
27	047456	PLUG		1
28	047472	BUSHING		1
29	047476	SCREW	FULL LOAD SET	1
30	047394	PLUG	1/8 BSPT	1
31	047451	BUSHING		1
32	047406	EYE	START SPRING	1
33	047492	LEVER	THROTTLE	1
34	047538	CAPSCREW	SECURITY M 6x16	2
35	047576	COVER	ANGELICH	1
36	047577	GASKET		1
37	047400	PLUG	EXPANSION 16MM	1

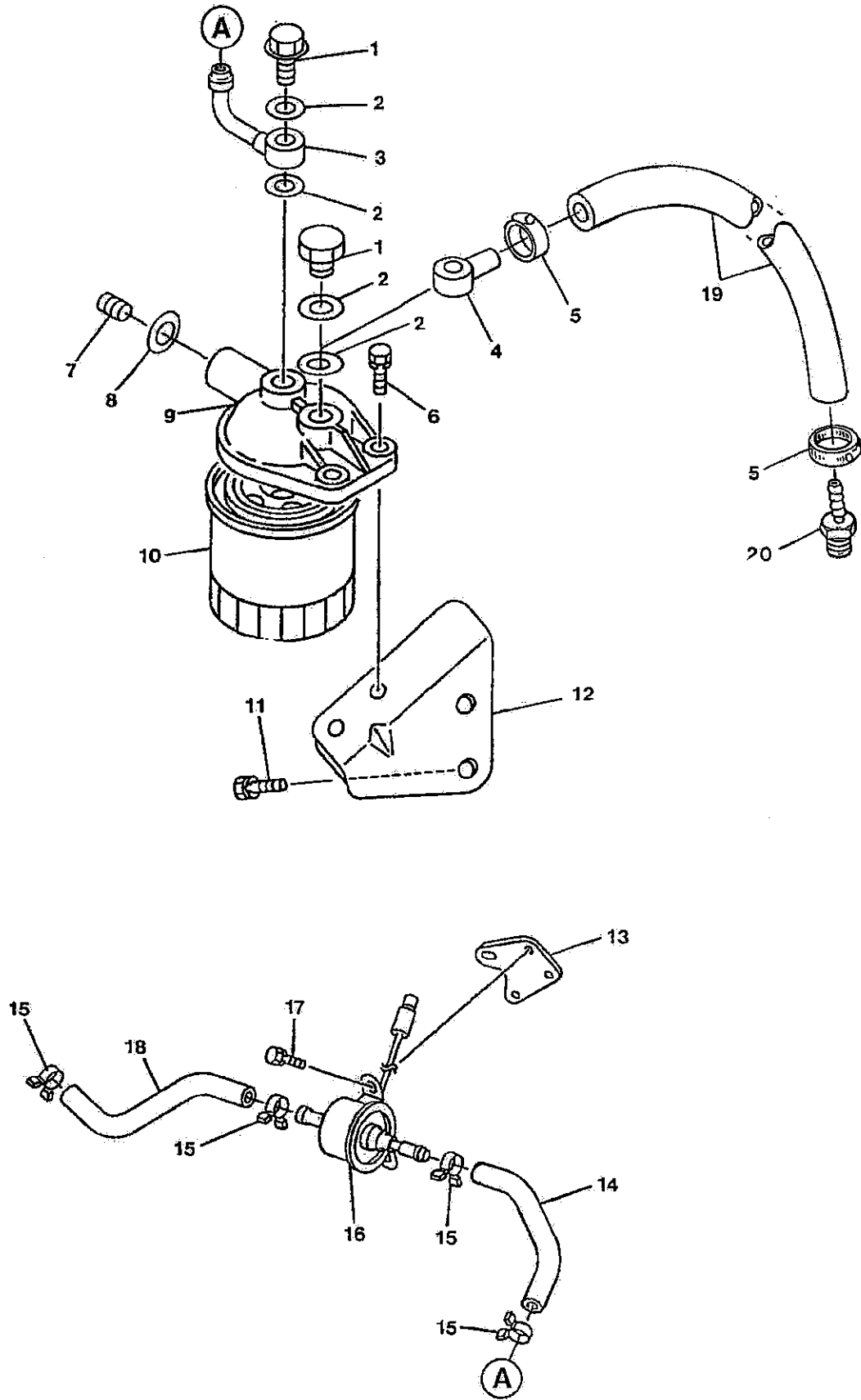
MODEL 25.0 TRD - GOVERNOR INTERNAL COMPONENTS



MODEL 25.0 TRD - GOVERNOR INTERNAL COMPONENTS

REF	PN	NAME	REMARKS	QTY
1	047507	LEVER KIT	GOVERNOR	1
2	047470	LEVER	MAIN SPRING	1
3	047559	LEVER	GOVERNOR TENSION	1
4	047464	SPRING	GOVERNOR RETURN	1
5	047558	LEVER	MAIN SPRING	1
6	047511	ADJUSTER	GOVERNOR	1
7	047551	SLEEVE	GOVERNOR	1
8	047388	NUT	CAMSHAFT GEAR	1
9	047570	WEIGHT	GOVERNOR	1
10	047510	GEAR	CAMSHAFT	1
11	047555	SPRING	GOVERNOR MAIN	1
12	047553	LEVER	GOVERNOR FLOATING	1
13	047604	SHAFT	GOVERNOR SHIFTER	1
14	047602	PIN	SPRING	1
15	047612	RING	RETAINING	1
16	047469	SHIFTER		1
17	047519	LINK	GOVERNOR GUIDE LEVER	1
18	047554	PLATE	LINK LEVER TO PUMP	1
19	047556	LINK	GOVERNOR TO PUMP	1
20	047385	PIN	SNAP	1
21	047557	SPRING	START	1
22	047501	SPRING	GOVERNOR	1
23	047467	LEVER	GOVERNOR GUIDE	1
24	047385	PIN	SNAP	1

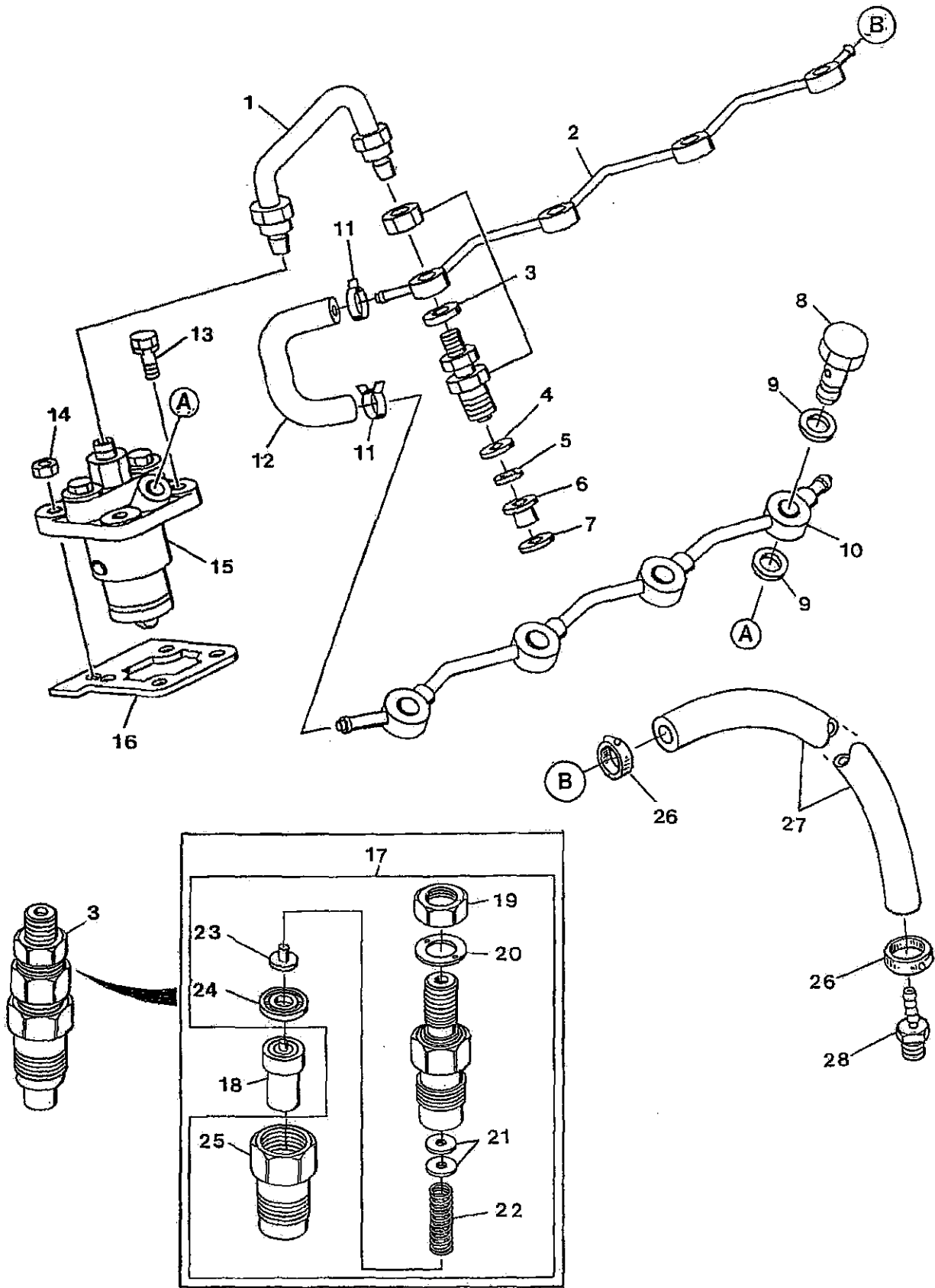
MODEL 25.0 TRD - FUEL FILTER AND LIFT PUMP



MODEL 25.0 TRD - FUEL FILTER AND LIFT PUMP

REF	PN	NAME	REMARKS	QTY
1	047381	BOLT	BANJO	2
2	047616	WASHER	BANJO M14	4
3	047397	BANJO	FUEL FILTER OUTLET	1
4	047422	BANJO	FUEL FILTER INLET	1
5	024906	CLAMP	HOSE	2
6	047370	CAPSCREW	M10x1.25x30 JIS-FLANGE 8T	2
7	047625	PLUG	M14	1
8	047616	WASHER	BANJO M14	1
9	047460	FILTER	FUEL INCL REF 10	1
10	047418	FILTER	FUEL	1
11	047374	CAPSCREW	M10x20 JIS-FLANGE 8T	2
12	047515	BRACKET	FUEL FILTER	1
13	047516	BRACKET	LIFT PUMP	1
14	047517	HOSE	FILTER TO LIFT PUMP	1
15	047398	CLAMP	HOSE	4
16	047565	PUMP	LIFT 12 VDC	1
17	047356	CAPSCREW	M 6x12 JIS-FLANGE 8T	1
18	047518	HOSE		1
19	022927	HOSE	FUEL SUPPLY-INCHES	18
20	047221	CONNECTOR	MALE 3/8 NPT TO 1/4 HOSE	1

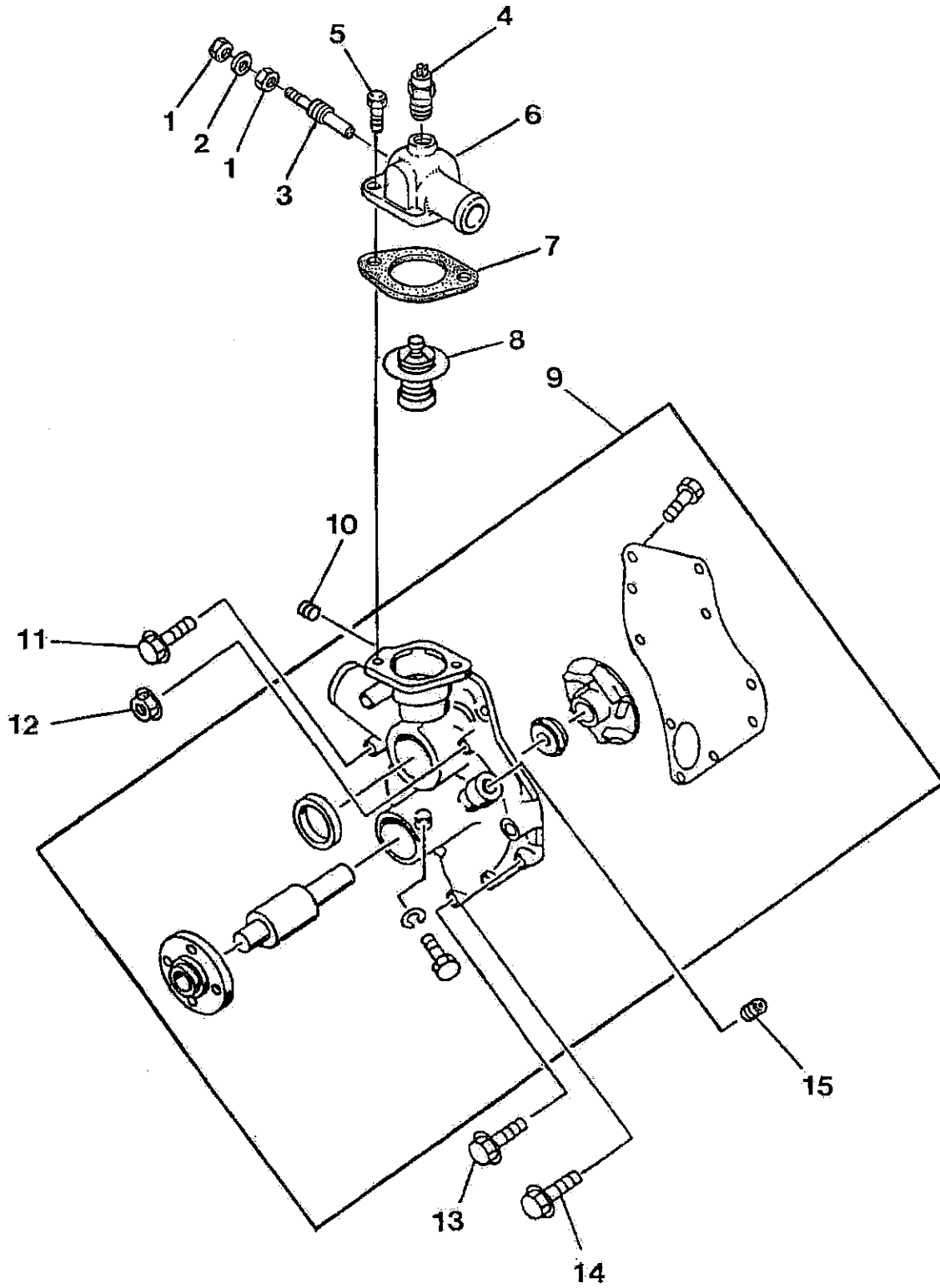
MODEL 25.0 TRD - INJECTORS - INJECTION PUMP



MODEL 25.0 TRD - INJECTORS - INJECTION PUMP

REF	PN	NAME	REMARKS	QTY
1	047550	LINE	INJECTION PUMP TO INJECTOR	4
2	047534	LINE	INJECTOR LEAK-OFF	1
3	047499	INJECTOR		4
4	047444	GASKET	INJECTOR	4
5	047410	WASHER	INJECTOR - CORRUGATED	4
6	047411	SHIELD	INJECTOR HEAT	4
7	047445	WASHER	INJECTOR HEAT SHIELD	4
8	047935	BOLT	BANJO	4
9	047936	WASHER	BANJO	8
10	047548	LINE	INJECTION PUMP SUPPLY	1
11	047399	CLAMP	HOSE	2
12	047484	HOSE	LEAKOFF	1
13	047364	CAPSCREW	M 8x20 JIS-FLANGE 8T	8
14	033668	NUT	M 8 JIS-FLANGE	8
15	047547	PUMP	INJECTION	4
16- 1	047580	SHIM	0.2	AR
16- 2	047581	SHIM	0.3	AR
16- 3	047582	SHIM	0.4	AR
16- 4	047583	SHIM	0.5	AR
16- 5	047584	SHIM	0.6	AR
16- 6	047585	SHIM	0.7	AR
16- 7	047586	SHIM	0.8	AR
16- 8	047587	SHIM	1.0	AR
16- 9	047588	SHIM	1.2	AR
17	047506	INJECTOR	HOLDER LESS NOZZLE	4
18	047417	NOZZLE	INJECTOR	4
19	047425	NUT	INJECTOR LEAK-OFF	4
20	047409	GASKET	INJECTOR LEAK-OFF	4
21- 1	047426	SHIM	0.10	AR
21- 2	047427	SHIM	0.20	AR
21- 3	047428	SHIM	0.30	AR
21- 4	047429	SHIM	0.40	AR
21- 5	047430	SHIM	0.50	AR
21- 6	047431	SHIM	0.52	AR
21- 7	047432	SHIM	0.54	AR
21- 8	047433	SHIM	0.56	AR
21- 9	047434	SHIM	0.58	AR
21-10	047435	SHIM	0.80	AR
22	047416	SPRING	INJECTOR	4
23	047535	PUSHROD	INJECTOR	4
24	047500	SPACER	INJECTOR	4
25	047502	NUT	INJECTOR NOZZLE	4
26	024906	CLAMP	HOSE	2
27	022927	HOSE	FUEL RETURN-INCHES	25
28	047221	CONNECTOR	MALE 3/8 NPT TO 1/4 HOSE	1

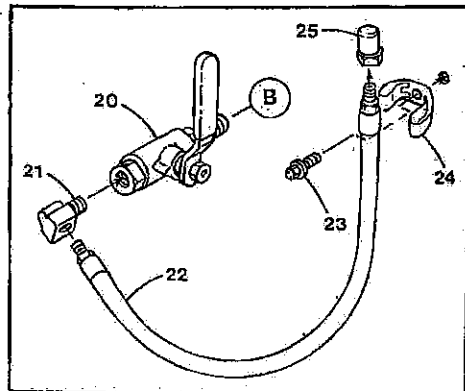
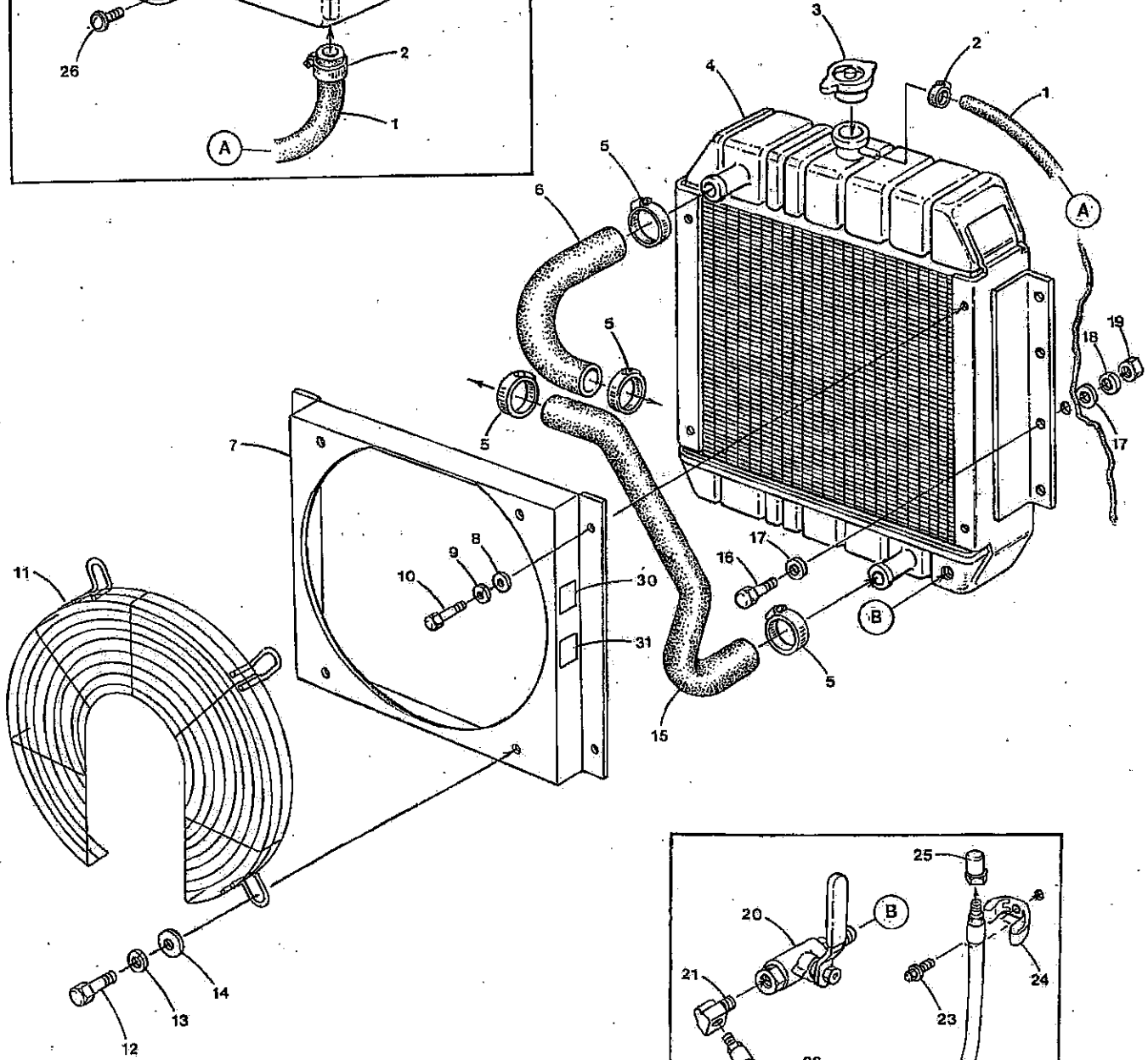
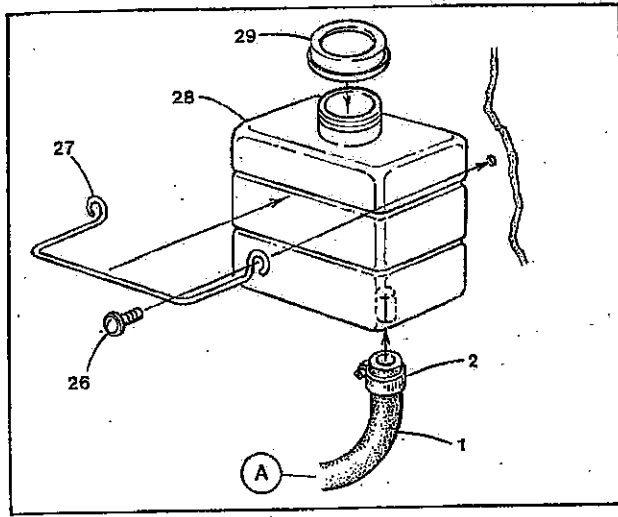
MODEL 25.0 TRD - THERMOSTAT AND WATER PUMP



MODEL 25.0 TRD - THERMOSTAT AND WATER PUMP

REF	PN	NAME	REMARKS	QTY
1	031847	NUT	10-32 HEX SS	2
2	031849	LOCKWASHER	10 SS	1
3	035109	SENDER	WATER TEMPERATURE	1
4	039550	SWITCH	WATER TEMPERATURE	1
5	047365	CAPSCREW	M 8x30 JIS-FLANGE 8T	2
6	047660	HOUSING	THERMOSTAT	1
7	047450	GASKET	THERMOSTAT	1
8	047571	THERMOSTAT		1
9	047564	PUMP	FRESH WATER	1
10	047394	PLUG	1/8 BSPT SOCKET	2
11	047373	CAPSCREW	M 8x60 JIS-FLANGE 9T	2
12	033668	NUT	M 8 JIS-FLANGE	2
13	047366	CAPSCREW	M 8x40 JIS-FLANGE 8T	2
14	047367	CAPSCREW	M 8x45 JIS-FLANGE 8T	1
15	047393	PLUG	3/8 BSPT SOCKET	1

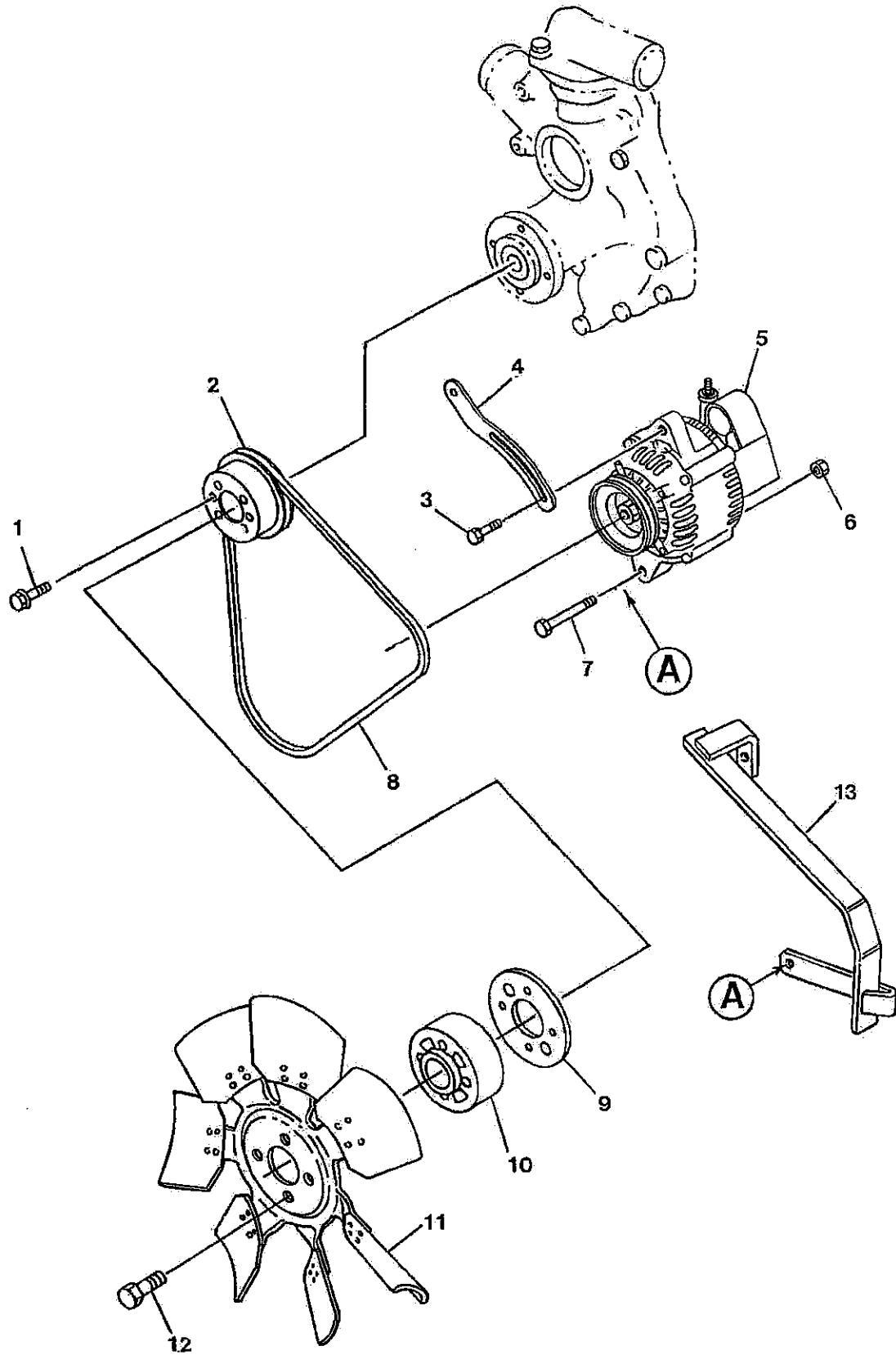
MODEL 25.0 TRD - RADIATOR AND HOSES



MODEL 25.0 TRD - RADIATOR AND HOSES

REF	PN	NAME	REMARKS	QTY
1	047666	HOSE	RADIATOR TO TANK	1
2	024906	CLAMP	HOSE	2
3	024306	CAP	PRESSURE	1
4-1	046762	RADIATOR	INCL SHROUD AND FAN GUARD	1
4-2	047663	RADIATOR		1
5	021878	CLAMP	HOSE 20	4
6	046771	HOSE	THERMOSTAT TO RADIATOR	1
7	047664	SHROUD	RADIATOR	1
8	031759	WASHER	FLAT 5/16	4
9	031758	LOCKWASHER	5/16	4
10	031552	CAPSCREW	5/16NCx5/8	4
11	047665	GUARD	FAN	1
12	031555	CAPSCREW	5/16NCx1	4
13	031758	LOCKWASHER	5/16	4
14	031759	WASHER	FLAT 5/16	4
15	046770	HOSE	RADIATOR TO PUMP	1
16	013629	CAPSCREW	M10x25 DIN 933	8
17	031789	WASHER	M10 DIN 125	16
18	019262	LOCKWASHER	M10 DIN 127	8
19	015887	NUT	M 8 DIN 934	8
20	047192	VALVE	BALL 3/8 NPT	1
21	013338	ELBOW	3/8 NPT STREET 90	1
22	046763	HOSE	DRAIN	1
23	031862	SCREW	8-32x3/8 SS BINDING HEAD	1
24	047194	CLIP	RETAINING	1
25	047193	CAP	3/8 NPT BRASS	1
26	031872	SCREW	10-32x1/2 SS BH	2
27	024786	STRAP	COOLANT RECOVERY TANK	1
28	036496	TANK	COOLANT RECOVERY	1
29	024858	CAP	COOLANT RECOVERY TANK	1
30	039900	LABEL	DANGER MOVING MACHINERY	2
31	047086	LABEL	CAUTION HOT PARTS	2

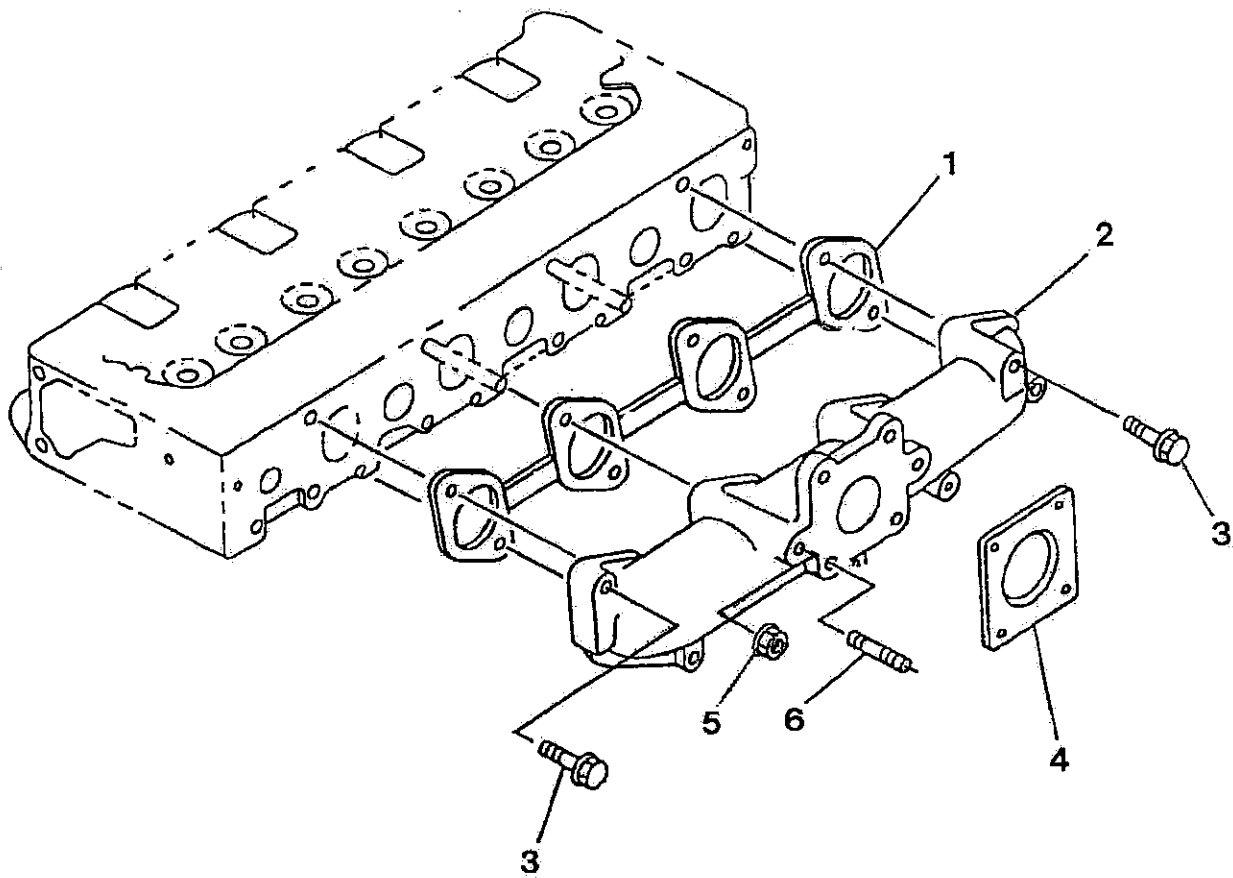
MODEL 25.0 TRD - FAN - ALTERNATOR - BELT



MODEL 25.0 TRD - FAN - ALTERNATOR - BELT

REF	PN	NAME	REMARKS	QTY
1	047355	CAPSCREW	M 6x12 JIS 8T	2
2	047579	PULLEY	WATER PUMP	1
3	047364	CAPSCREW	M 8x20 JIS-FLANGE 8T	1
4	047404	STRAP	ADJUSTING	1
5	047490	ALTERNATOR	12 VDC 20 AMP	1
6	041438	NUT	M10x1.25 JIS-FLANGE	1
7	047371	CAPSCREW	M10x1.25x70 JIS-FLANGE 8T	1
8	047572	BELT		1
9	047494	SPACER	FAN	1
10	047624	SPACER	FAN	1
11	047171	FAN		1
12	047367	CAPSCREW	M 8x45 JIS-FLANGE 8T	4
13	047662	GUARD	BELT	1

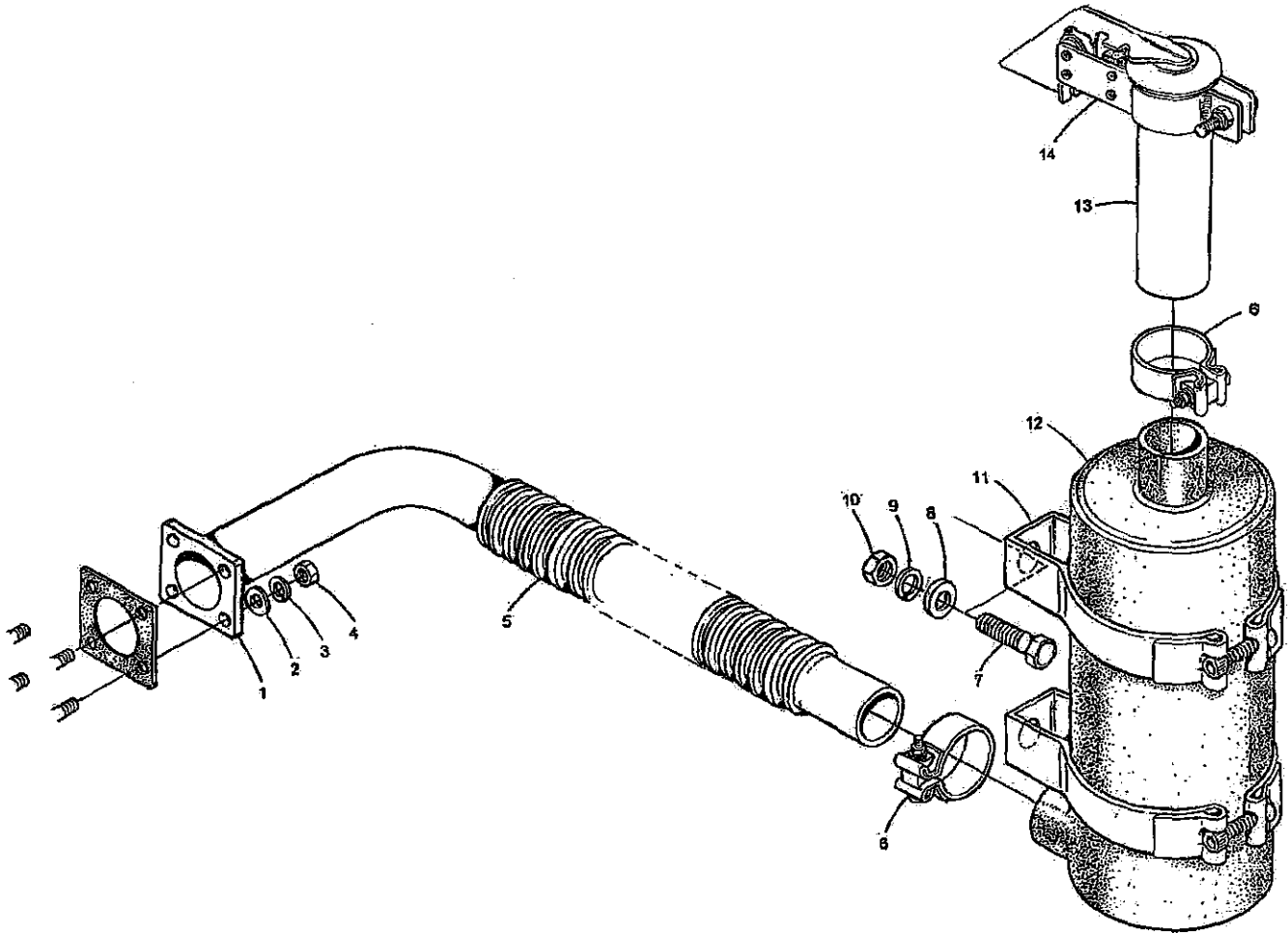
MODEL 25.0 TRD - EXHAUST MANIFOLD



MODEL 25.0 TRD - EXHAUST MANIFOLD

REF	PN	NAME	REMARKS	QTY
1	047533	GASKET	EXHAUST MANIFOLD	1
2	047525	MANIFOLD	EXHAUST	1
3	047368	CAPSCREW	M 8x70 JIS-FLANGE 8T	6
4	047477	GASKET	EXHAUST LINE TO MANIFOLD	1
5	033668	NUT	M 8 JIS-FLANGE	2
6	047597	STUD	M 8x20	4

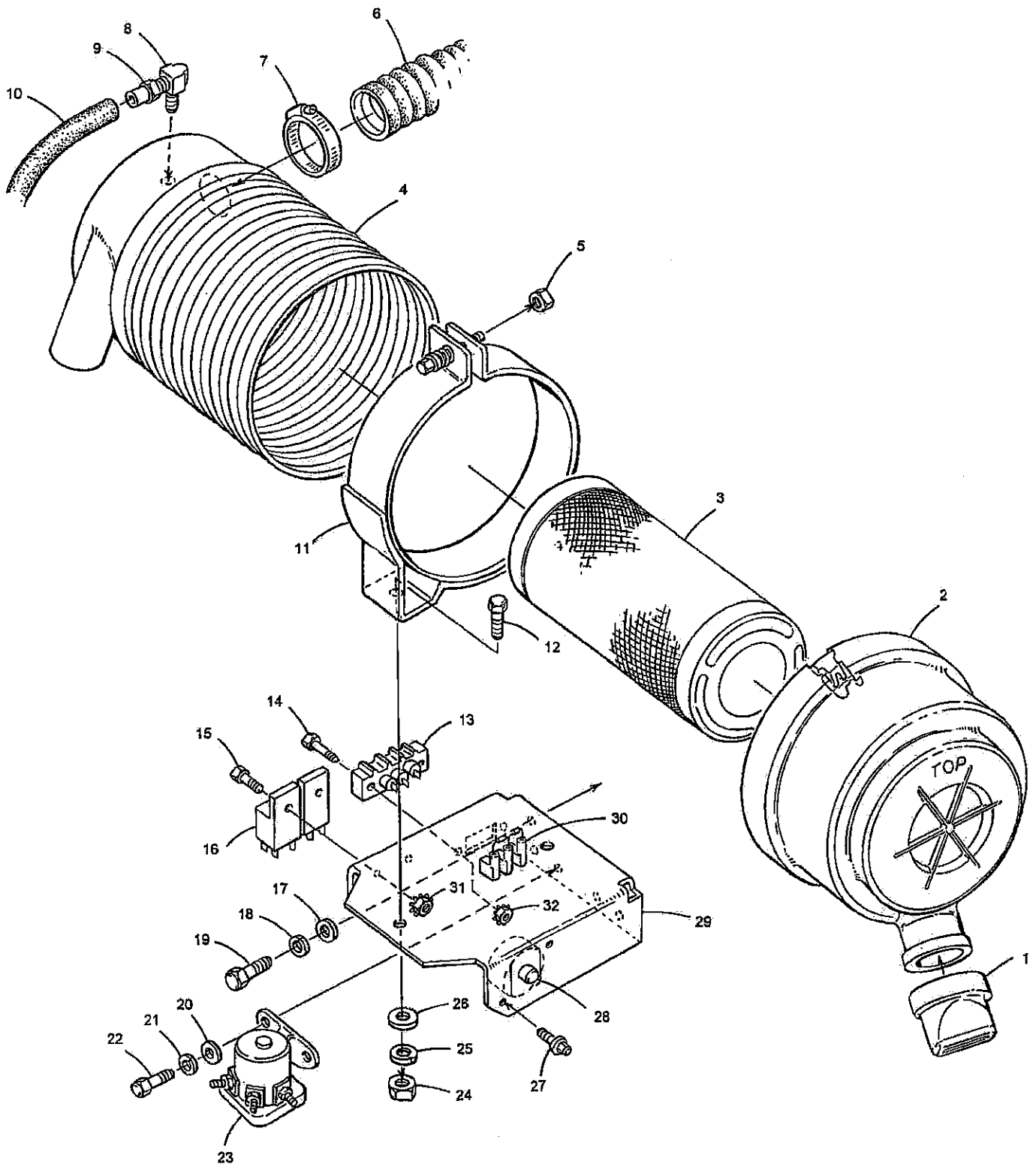
MODEL 25.0 TRD - EXHAUST SYSTEM



MODEL 25.0 TRD - EXHAUST SYSTEM

REF	PN	NAME	REMARKS	QTY
1	047477	GASKET	MANIFOLD TO PIPE	1
2	031787	WASHER	M 8 DIN 125	4
3	031786	LOCKWASHER	M 8 DIN 127	4
4	018242	NUT	M 8 DIN 934	4
5	047736	PIPE	EXHAUST	1
6	047099	CLAMP	EXHAUST	2
7	013629	CAPSCREW	M10x25 DIN 933	4
8	031789	WASHER	M10 DIN 125	4
9	019262	LOCKWASHER	M10 DIN 127	4
10	015887	NUT	M10 DIN 934	4
11	047096	CLAMP	MUFFLER MOUNTING	2
12	047095	MUFFLER		1
13	047100	PIPE	EXHAUST	1
14	047098	CAP	EXHAUST	1

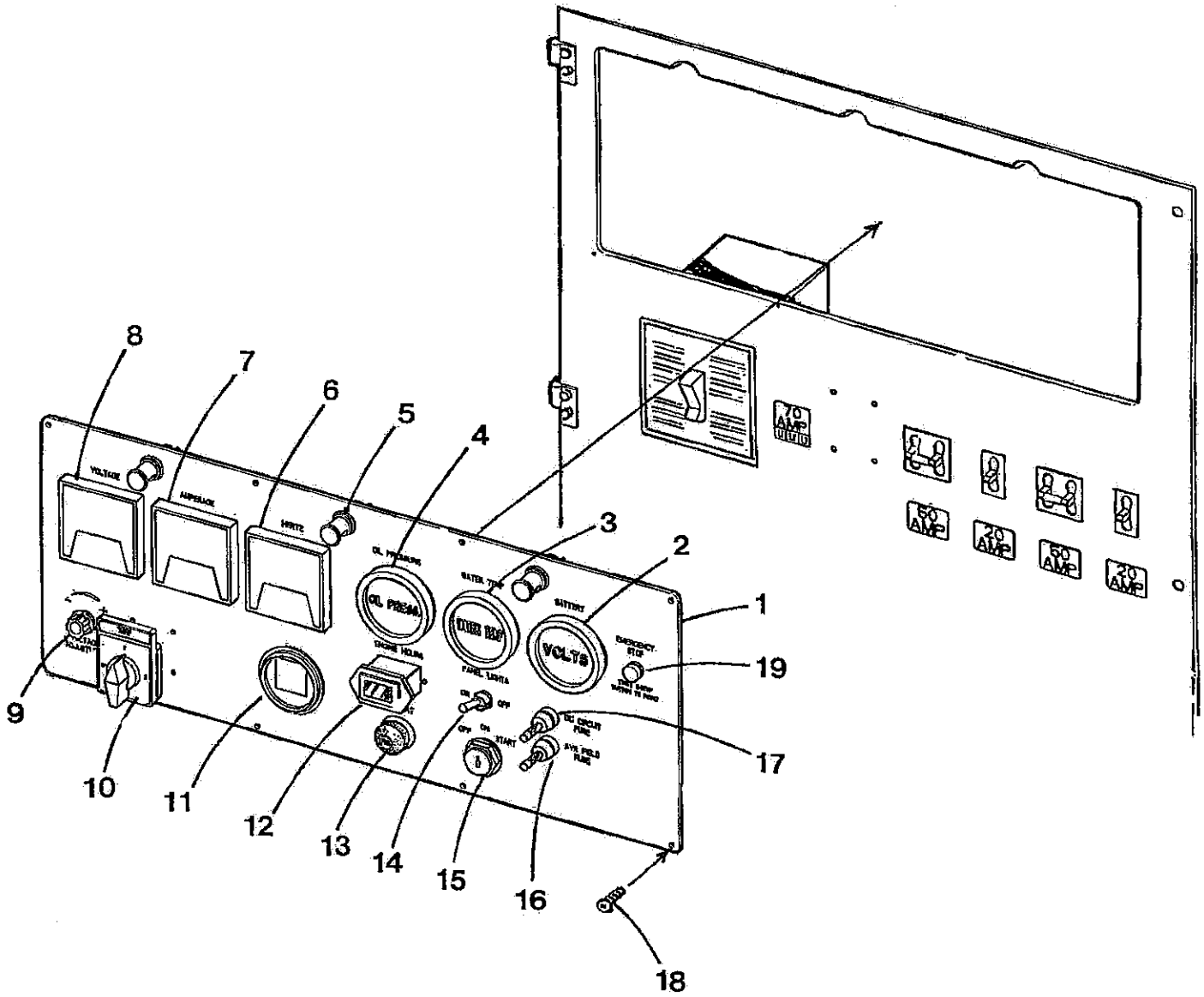
MODEL 25.0 TRD - AIR FILTER - RELAYS - SOLENOID - CIRCUIT BREAKER



MODEL 25.0 TRD - AIR FILTER - RELAYS - SOLENOID - CIRCUIT BREAKER

REF	PN	NAME	REMARKS	QTY
1	047178	VALVE	FILTER COVER	1
2	047177	COVER	FILTER HOUSING	1
3	047176	FILTER	AIR	1
4	047175	FILTER	AIR INCL REF 1 THRU 4	1
5	018242	NUT	M 8 DIN 934	1
6	047214	HOSE	AIR INTAKE INCHES REQUIRED	18
7	011411	CLAMP	HOSE 32	2
8	013340	ELBOW	1/8 NPT STREET 90	1
9		CONNECTOR	FILTER MINDER SEE INSTR PNL	1
10		HOSE	FILTER MINDER SEE INSTR PNL	1
11	047179	CLAMP	FILTER MOUNTING	1
12	017196	CAPSCREW	M 8x20 DIN 933	2
13	050506	BLOCK	TERMINAL	1
14	031856	SCREW	6-32x3/4 SS BH	2
15	031871	SCREW	10-32x3/8 SS BH	2
16	037833	RELAY	12 VDC	2
17	031787	WASHER	M 8 DIN 125	4
18	031786	LOCKWASHER	M 8 DIN 127	4
19	017196	CAPSCREW	M 8x20 DIN 933	4
20	031784	WASHER	M 6 DIN 125	2
21	031783	LOCKWASHER	M 6 DIN 127	2
22	031810	CAPSCREW	M 6x14 DIN 933	2
23	024639	SOLENOID	12 VDC	1
24	018242	NUT	M 8 DIN 934	2
25	031786	LOCKWASHER	M 8 DIN 127	2
26	031787	WASHER	M 8 DIN 125	2
27	043480	SCREW	8-32x7/8 SS HEX WASHER HEAD	2
28-1	024683	BREAKER	CIRCUIT 20 AMP	1
28-2	039283	LABEL	BREAKER RESET	1
29	046760	BRACKET	FILTER-RELAY-SOLENOID-BRKR	1
30	047174	DIODE	ASSEMBLY	1
31	200125	NUT	10-32 KEPS	2
32	050234	NUT	6-32 KEPS	2

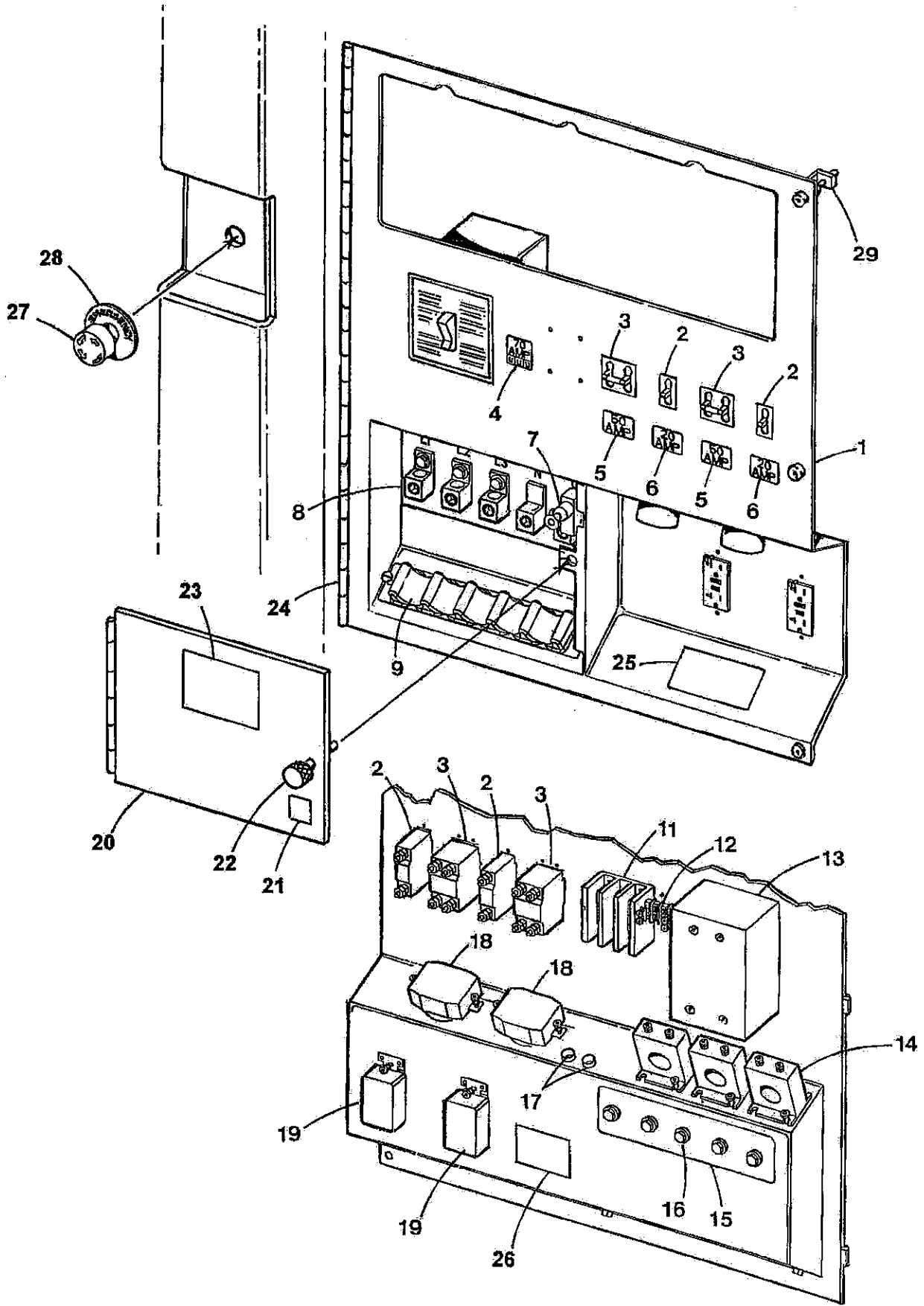
MODEL 25.0 TRD - INSTRUMENT PANEL



MODEL 25.0 TRD - INSTRUMENT PANEL

REF	PN	NAME	REMARKS	QTY
1-1	047328	PANEL	INSTRUMENT	1
1-2	046758	PLATE	PANEL	1
2	037605	VOLTMETER	12 VDC	1
3	037601	METER	WATER TEMPERATURE	1
4	037603	METER	OIL PRESSURE	1
5-1	024947	LAMP	12 VDC	3
5-2	047172	BASE	PANEL LAMP	3
5-3	047173	CAP	PANEL LAMP	3
6	047090	METER	FREQUENCY	1
7	047089	METER	AMMETER 0-100 VAC	1
8	047088	METER	VOLTAGE 0-600 VAC	1
9-1	047208	RHEOSTAT	TRIMMER POTENTIOMETER	1
9-2	047209	KNOB		1
10-1	047093	SWITCH	METER PHASE SELECT	1
10-2	031855	SCREW	6-32x5/8 SS BH	4
10-3	050234	NUT	6-32 KEPS	4
11-1	047210	INDICATOR	FILTER RESTRICTION INCL	1
11-2			HOSE AND ADAPTER	
12-1	042388	METER	HOUR	1
12-2	031854	SCREW	6-32x1/2 SS BH	2
12-3	050234	NUT	6-32 KEPS	2
13	033764	SWITCH	PREHEAT	1
14	033259	SWITCH	PANEL LIGHTS	1
15	047190	KEYSWITCH		1
16-1	033768	FUSE	4 AMP	1
16-2	033767	HOLDER	FUSE	1
17-1	033769	FUSE	8 AMP	1
17-2	033767	HOLDER	FUSE	1
18	034421	SCREW	8-32x3/8 SS BLACK TRUSS HD	8
19	047180	LAMP	EMERGENCY STOP INDICATOR	1
20-1	047325	HARNESS	PANEL DC	1
20-2	047326	HARNESS	PANEL AC	1

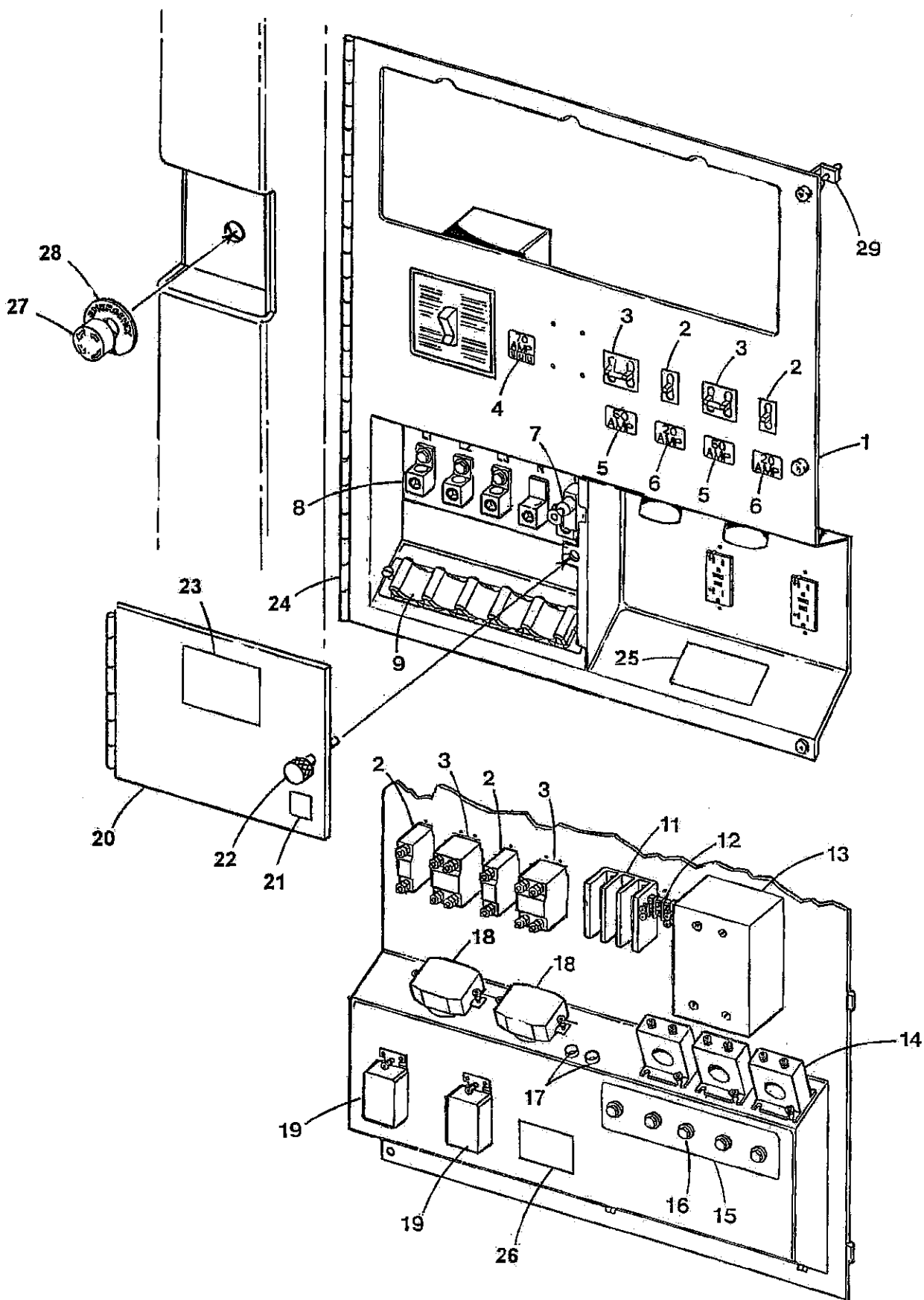
MODEL 25.0 TRD - AC OUTPUT PANEL



MODEL 25.0 TRD - AC OUTPUT PANEL

REF	PN	NAME	REMARKS	QTY
1	047668	PANEL	SHEET	1
2-1	047181	BREAKER	CIRCUIT 20 AMP 1 POLE	2
2-2	031852	SCREW	6-32x1/4 SS BH	4
2-3	031840	LOCKWASHER	6 SS	4
3-1	042698	BREAKER	CIRCUIT 50 AMP 2 POLE	2
3-2	031852	SCREW	6-32x1/4 SS BH	8
3-3	031840	LOCKWASHER	6 SS	8
4	046767	LABEL	CIRCUIT BREAKER 70 AMP	1
5	046768	LABEL	CIRCUIT BREAKER 50 AMP	2
6	046769	LABEL	CIRCUIT BREAKER 20 AMP	2
7-1	047186	SWITCH	SAFETY	1
7-2	031867	SCREW	8-32x1 SS BH	2
7-3	031845	LOCKWASHER	8 IT SS	2
7-4	031842	NUT	8-32 SS HEX	2
8	047185	TERMINAL	CABLE LUG	5
9-1	046764	GUARD	CABLE ENTRY	1
9-2	031881	SCREW	1/4NCx1/2 SS BH	2
9-3	200120	NUT	1/4NC KEPS	2
11-1	047211	BLOCK	TERMINAL	1
11-2	031872	SCREW	10-32x1/2 SS BH	4
11-3	200125	NUT	10-32 KEPS	4
12-1	047213	BLOCK	TERMINAL	1
12-2	015222	PLATE	SCREW	2
12-3	031855	SCREW	6-32x5/8 SS BH	4
12-4	050234	NUT	6-32 KEPS	4
13-1	047212	BREAKER	CIRCUIT 70 AMP 3 POLE	1
13-2	047295	CAPSCREW	10-32x7/8 SS SOCKET	4
13-3	047291	STANDOFF		4
13-4	031871	SCREW	10-32x3/8 SS BH	4
13-5	031849	LOCKWASHER	10 SS	4
14-1	047091	TRANSFORMR	CURRENT	3
14-2	031872	SCREW	10-32x1/2 SS BH	6
14-3	200125	NUT	10-32 KEPS	6
15-1	046759	BOARD	TERMINAL	1
15-2	031874	SCREW	10-32x3/4 SS BH	4
15-3	200125	NUT	10-32 KEPS	4
16-1	032598	CAPSCREW	5/16NCx1-3/4 BRASS	5
16-2	020272	NUT	5/16NC BRASS	10
16-3	020273	WASHER	FLAT 5/16 BRASS	22
16-4	020274	LOCKWASHER	5/16 BRONZE	10
17	047191	BUSHING	SNAP NYLON	2
18-1	047182	RECEPTACLE	50 AMP	2
18-2	031863	SCREW	8-32x1/2 SS BH	4
18-3	031845	LOCKWASHER	8 IT SS	4
18-4	031842	NUT	8-32 SS HEX	8
19-1	047183	RECEPTACLE	20 AMP 120 VAC GFCI	2
19-2	031862	SCREW	8-32x3/8 SS BH	4
19-3	031845	LOCKWASHER	8 IT SS	4
19-4	031842	NUT	8-32 SS HEX	4

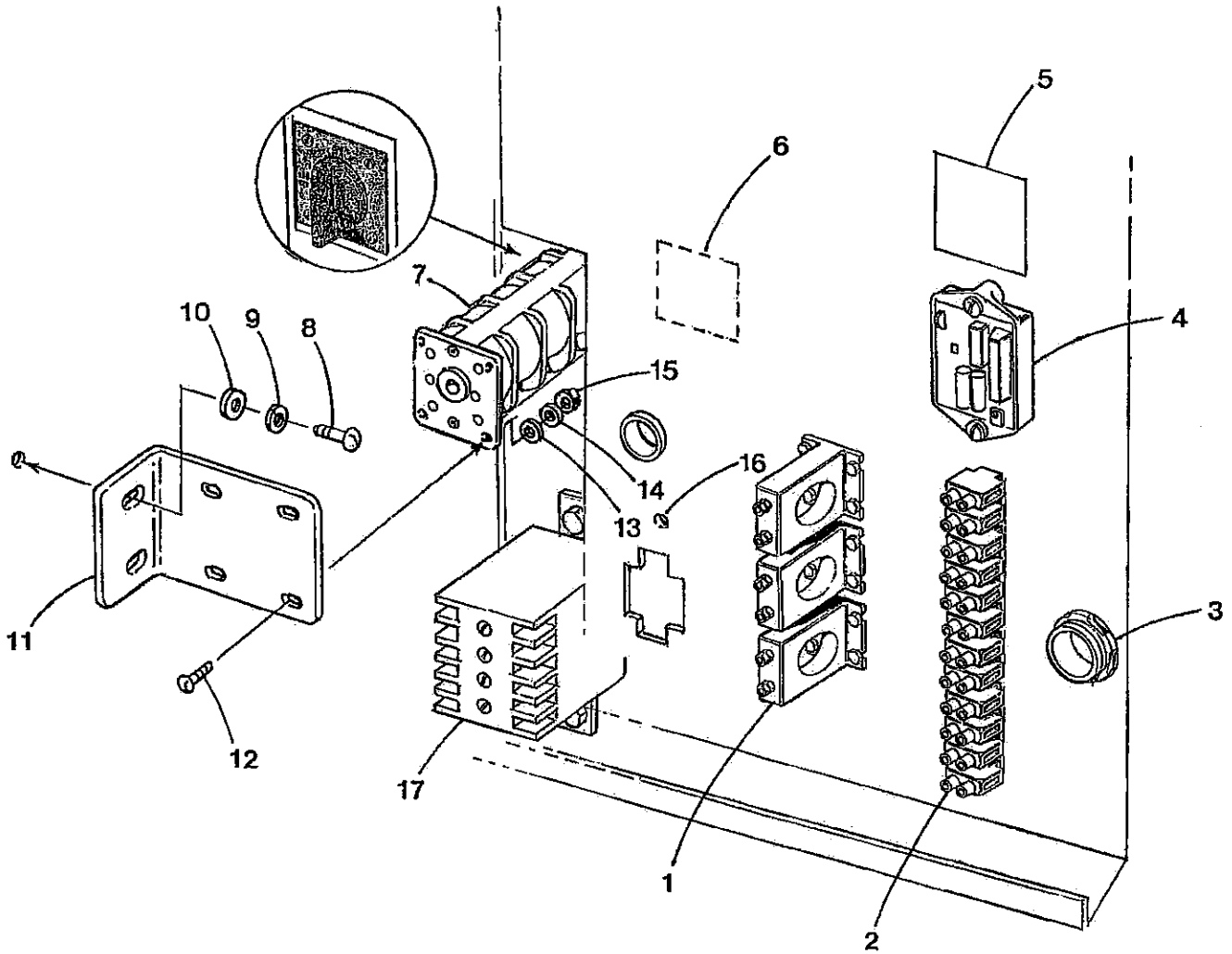
MODEL 25.0 TRD - AC OUTPUT PANEL



MODEL 25.0 TRD - AC OUTPUT PANEL

REF	PN	NAME	REMARKS	QTY
20-1		DOOR	TERMINAL ACCESS	1
20-2	046765	LABEL	VOLTAGE DIAGRAM	1
21	047080	LABEL	SAFETY DISCONNECT	1
22	047791	LATCH	COMPRESSION	1
23	047084	LABEL	DANGER HIGH VOLTAGE	1
24	047784	HINGE		1
25	046766	LABEL	RECEPTACLE VOLTAGE	1
26	047085	LABEL	DANGER HIGH VOLTAGE SERVICE	1
27-1	047187	SWITCH	EMERGENCY STOP	1
27-2	047188	SWITCH	CONTACTS	1
28	047189	LABEL	EMERGENCY STOP SWITCH	1
29	047965	LATCH	COMPRESSION	3
41	047333	HARNESS	DISTRIBUTN BLOCK TO BREAKER	1
42	047335	HARNESS	AC TO INSTRUMENT PANEL	1
43	047336	HARNESS	RECEPTACLE GROUND	1
44	047337	HARNESS	RECEPTACLE NEUTRAL	1
45	047339	WIRE	GROUND TO NEUTRAL G00	1
46	047643	WIRE	BREAKER TO RECEPTACLE A27	1
47	047644	WIRE	BREAKER TO RECEPTACLE A29	1
48	047645	WIRE	BREAKER TO RECEPTACLE A33	1
49	047646	WIRE	BREAKER TO RECEPTACLE A35	1
50	047647	WIRE	BREAKER TO RECEPTACLE A31	1
51	047648	WIRE	BREAKER TO RECEPTACLE A37	1
52	047649	WIRE	BREAKER TO OUTPUT LUG A17	1
53	047650	WIRE	BREAKER TO OUTPUT LUG A19	1
54	047651	WIRE	BREAKER TO OUTPUT LUG A20	1

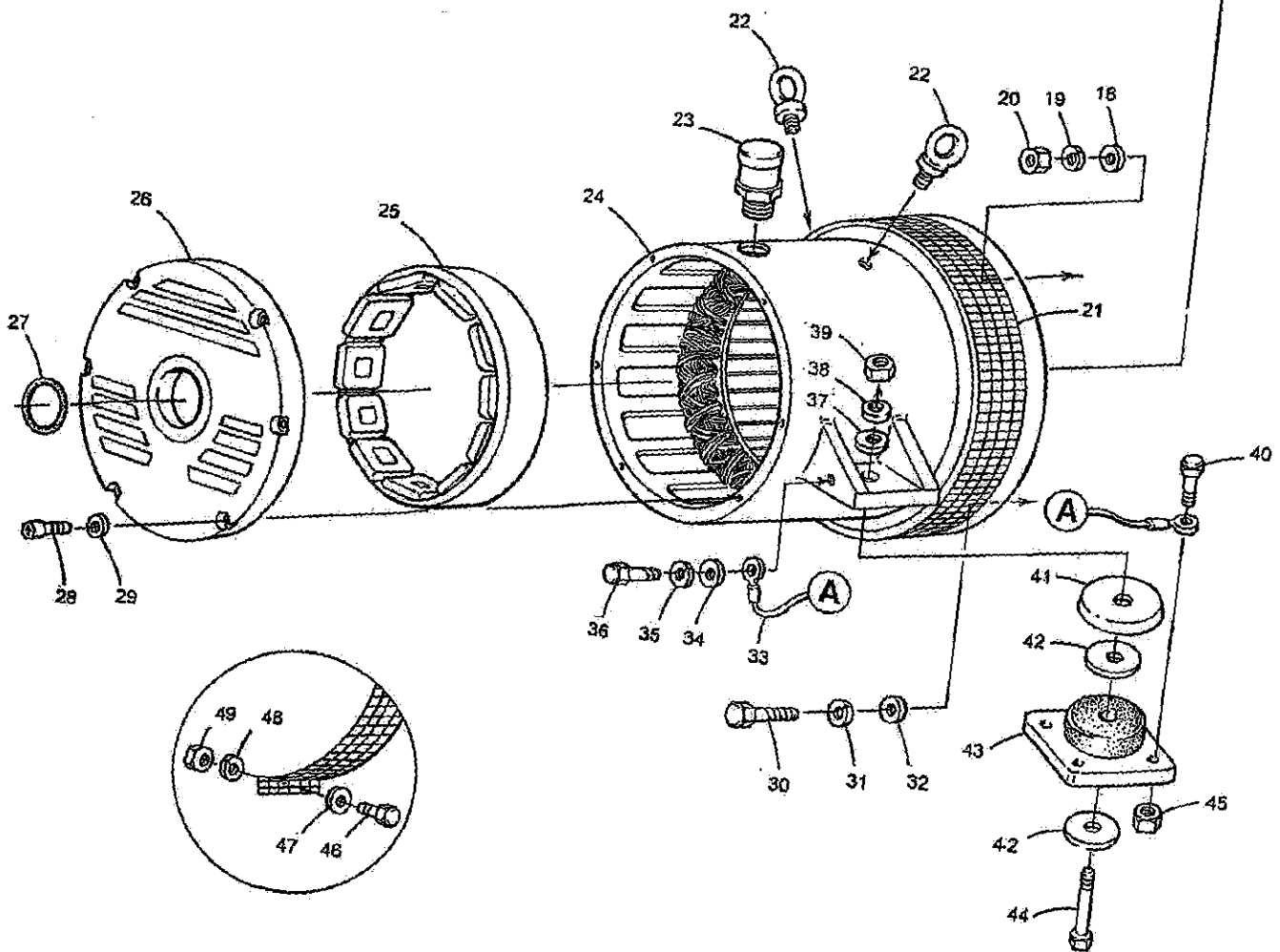
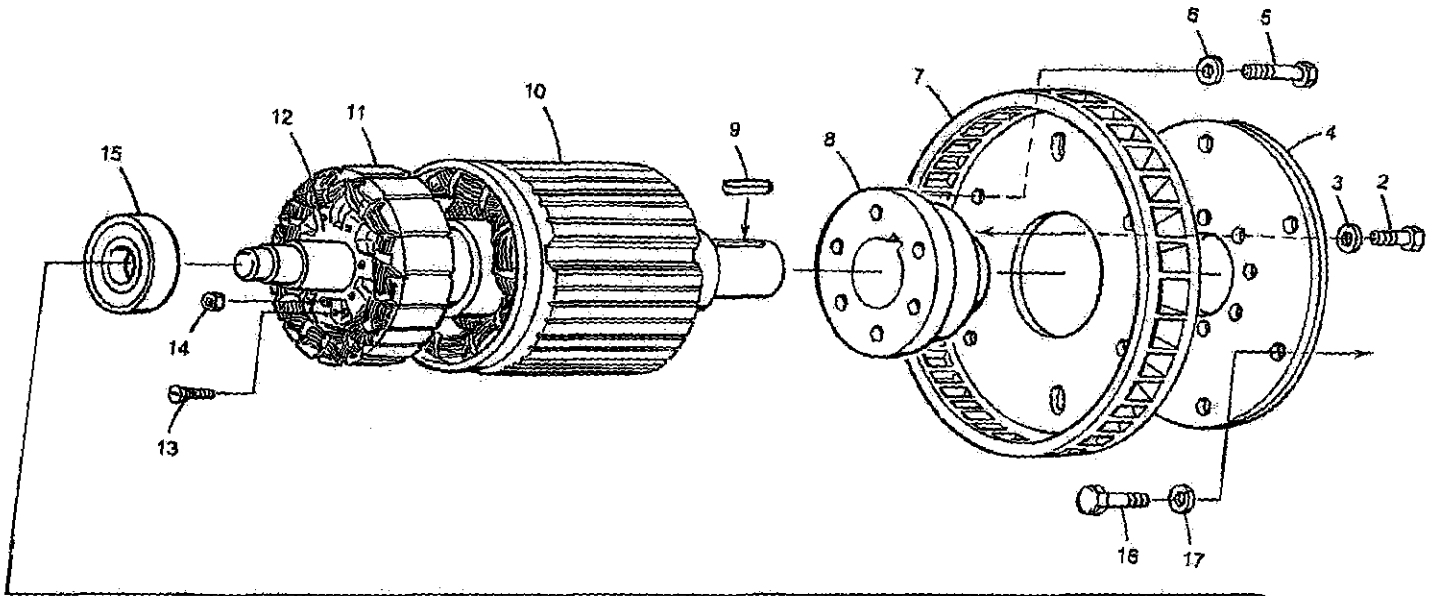
MODEL 25.0 TRD - AC OUTPUT - VOLTAGE REGULATOR - VOLTAGE SWITCH



MODEL 25.0 TRD - AC OUTPUT - VOLTAGE REGULATOR - VOLTAGE SWITCH

REF	PN	NAME	REMARKS	QTY
1-1	047091	TRANSFORMR	CURRENT	3
1-2	031872	SCREW	10-32x1/2 SS BH	6
1-3	031849	LOCKWASHER	10 SS	6
1-4	031848	WASHER	FLAT 10 SS	6
2-1	047184	BLOCK	TERMINAL	1
2-2	031867	SCREW	8-32x1 SS BH	2
2-3	031843	WASHER	FLAT 8 SS	2
2-4	031845	LOCKWASHER	8 IT SS	2
3	036737	CONNECTOR	BOX 1-1/4 INSULATED	1
4-1	047735	REGULATOR	VOLTAGE	1
4-2	031876	SCREW	10-32x1 SS BH	2
4-3	031849	LOCKWASHER	10 SS	2
4-4	031848	WASHER	FLAT 10 SS	2
5	047085	LABEL	DANGER HIGH VOLTAGE SERVICE	1
6	047079	LABEL	VOLTAGE SELECT	1
7	047094	SWITCH	VOLTAGE SELECT	1
8	031881	SCREW	1/4NCx1/2 SS BH	2
9	031752	LOCKWASHER	1/4	2
10	031753	WASHER	FLAT 1/4	2
11	047330	BRACKET	SUPPORT SWITCH	1
12	031863	SCREW	8-32x1/2 SS BH	4
13	031843	WASHER	FLAT 8 SS	4
14	031845	LOCKWASHER	8 IT SS	4
15	031842	NUT	8-32 SS HEX	4
16	047191	BUSHING	SNAP NYLON	2
17-1	047092	RELAY	OVERCURRENT	1
17-2	047690	RAIL	DIN 35MM x 100MM	1
17-3	047331	BRACKET	RELAY	1
17-4	031872	SCREW	10-32x1/2 SS BH	2
17-5	031849	LOCKWASHER	10 SS	2
18	047290	MOUNT	TIEWRAP PUSH BUTTON	2
19	023809	TIEWRAP		2
20	047294	HARNESS	ENGINE	1
21	047332	HARNESS	VOLTAGE SWITCH TO PANEL	1
22	047340	WIRE	GROUND TO FRAME G05	1

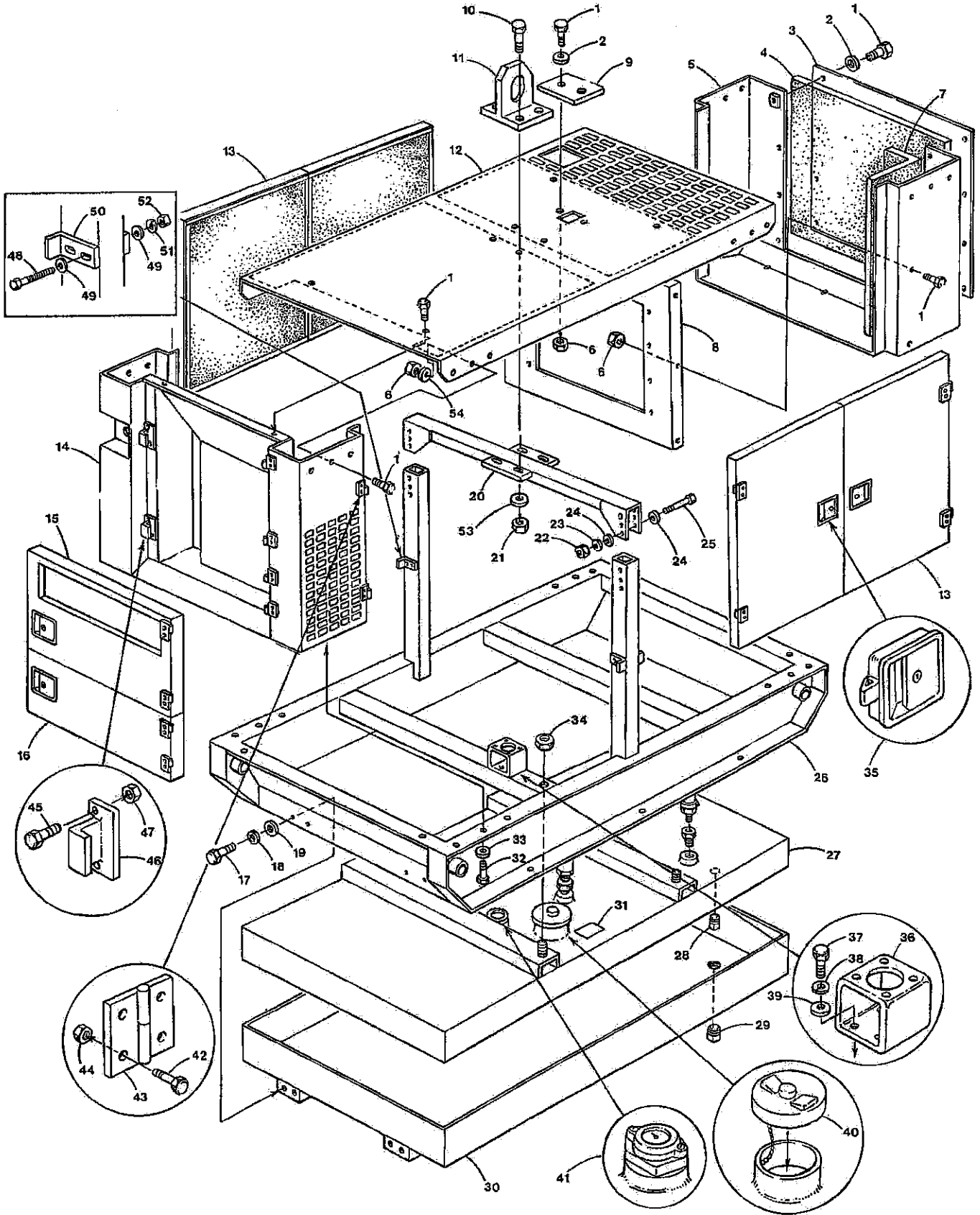
MODEL 25.0 TRD - AC GENERATOR AND REAR MOUNTS



MODEL 25.0 TRD - AC GENERATOR AND REAR MOUNTS

REF	PN	NAME	REMARKS	QTY
1	047937	GENERATOR	3 PHASE	1
2	047870	CAPSCREW	M 8x15 DIN 912	8
3	031788	WASHER	SPRING M 8 DIN 137-B	8
4	047862	DISC	DRIVE	3
5	047870	CAPSCREW	M 8x15 DIN 912	4
6	031788	WASHER	SPRING M 8 DIN 137-B	4
7	047864	FAN		1
8	047866	HUB	DRIVE DISC TO ARMATURE	1
9	047867	KEY		1
10-1	047858	ARMATURE	INCL REF 11-12	1
10-2	047916	ARMATURE		1
11	047914	ROTOR	EXCITER	1
12	047868	RECTIFIER		1
13	042409	SCREW	M 6x20 DIN 963A	2
14	018241	NUT	M 6 DIN 934	5
15	047859	BEARING	BALL	1
16	017196	CAPSCREW	M 8x20 DIN 933	8
17	031786	LOCKWASHER	M 8 DIN 127	8
18	031789	WASHER	M10 DIN 125	2
19	019262	LOCKWASHER	M10 DIN 127	2
20	015887	NUT	M10 DIN 934	2
21	047865	SCREEN	EXHAUST AIR	1
22	047860	BUSHING	AC OUTPUT WIRES	1
24-1	047869	HOUSING	STATOR ASSY INCL REF 25	1
24-2	047917	STATOR		1
24-3	047918	HOUSING		1
25	047915	STATOR	EXCITER	1
26	047861	COVER	GENERATOR END	1
27	047919	O-RING		1
28	039874	CAPSCREW	M 6x20 DIN 912	8
29	031785	WASHER	SPRING M 6 DIN 137-B	8
30	013629	CAPSCREW	M10x25 DIN 933	6
31	019262	LOCKWASHER	M10 DIN 127	6
32	031789	WASHER	M10 DIN 125	6
33	034593	STRAP	GROUND	1
34	031787	WASHER	M 8 DIN 125	1
35	031786	LOCKWASHER	M 8 DIN 127	1
36	016789	CAPSCREW	M 8x16 DIN 933	1
37	031777	WASHER	FLAT 1/2	2
38	031776	LOCKWASHER	1/2	2
39	031774	NUT	1/2NC HEX	2
40	031553	CAPSCREW	5/16NCx3/4	8
41	033530	SHIELD	ISOLATOR	2
42	024674	WASHER	ISOLATOR SNUBBING	4
43	015238	ISOLATOR		2
44	031714	CAPSCREW	1/2NCx3-1/4	2
45	200127	NUT	5/16NC KEPS	8
46	018804	CAPSCREW	M 6x20 DIN 933	2
47	031784	WASHER	M 6 DIN 125	2
48	031785	WASHER	SPRING M 6 DIN 137-B	2
49	015812	NUT	M 6 DIN 934	2

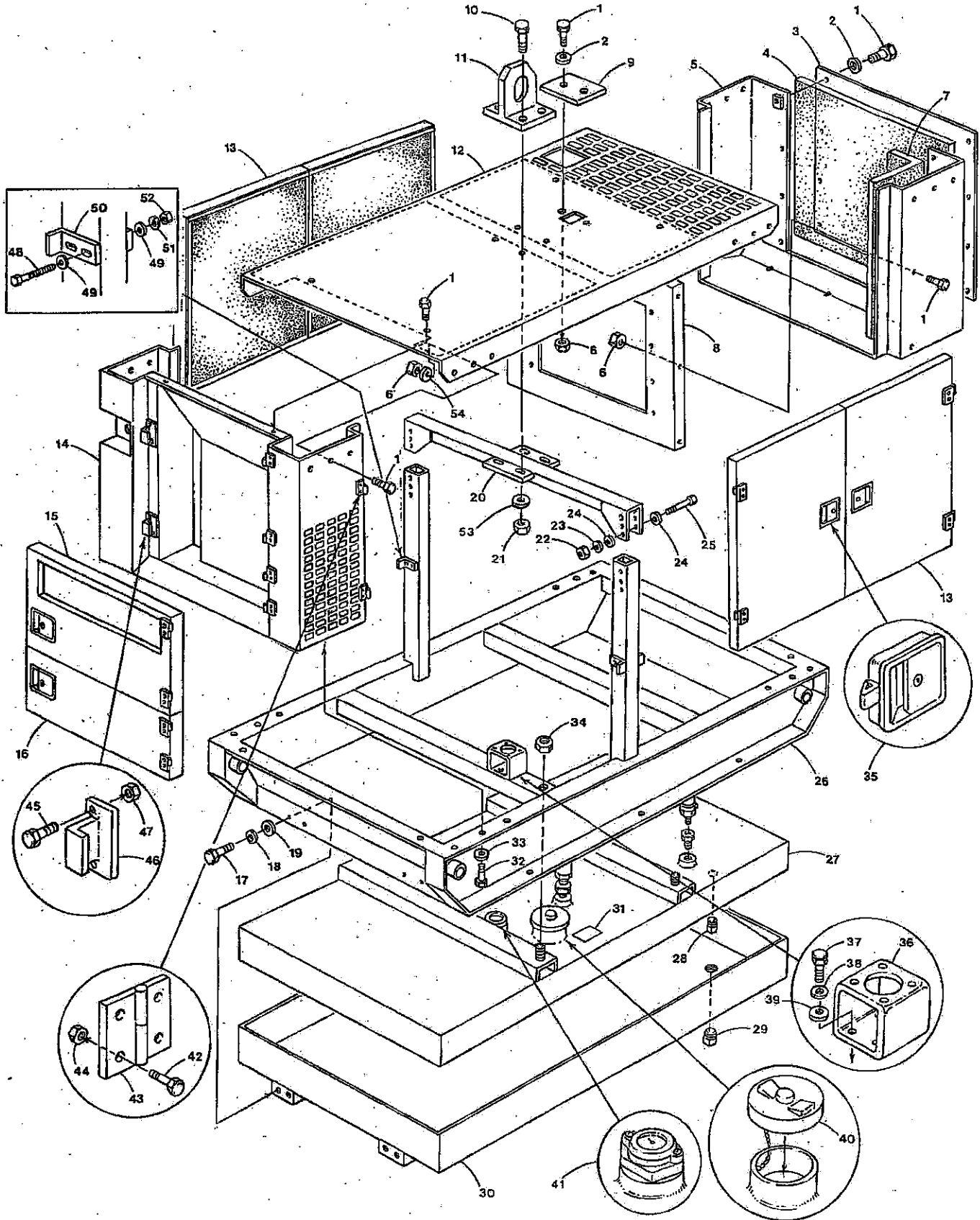
MODEL 25.0 TRD - GENERATOR ENCLOSURE



MODEL 25.0 TRD - GENERATOR ENCLOSURE

REF	PN	NAME	REMARKS	QTY
1	047854	CAPSCREW	1/4NCx3/4 SS-FLANGE	AR
2	047852	WASHER	NYLON	AR
3	047810	PANEL	RADIATOR ACCESS	1
4	047779	FOAM	RADIATOR ACCESS PANEL	1
5	047811	ENCLOSURE	RADIATOR-EXHAUST	1
6	047853	NUT	1/4NC NYLOC	AR
7-1	047780	FOAM	RADIATOR ENCLOSURE LEFT	1
7-2	047781	FOAM	RADIATOR ENCLOSURE RIGHT	1
8	047774	PANEL	RADIATOR MOUNT	1
9	047776	PLATE	COVER RADIATOR FILL	1
10	047857	CAPSCREW	5/8NCx1-1/2 SS GR 8 FULL TH	4
11	047775	EYE	LIFTING	1
12-1	047812	ENCLOSURE	TOP	1
12-2	047782	FOAM	TOP FRONT	1
12-3	047783	FOAM	TOP REAR	1
13-1	047815	DOOR	ENCLOSURE SIDE	4
13-2	047794	FOAM	DOOR	4
13-3	047787	GASKET	DOOR EDGE	AR
14	047770	ENCLOSURE	REAR	1
15-1	047813	DOOR	UPPER	1
15-2	047788	WINDOW	UPPER DOOR	1
16	047814	DOOR	LOWER	1
17	031505	CAPSCREW	1/4NCx1	8
18	031752	LOCKWASHER	1/4	8
19	031753	WASHER	FLAT 1/4	8
20	047768	BEAM	ENCLOSURE LIFTING EYE	1
21	047856	NUT	5/8NC NYLOC	4
22	031774	NUT	1/2NC	6
23	031776	LOCKWASHER	1/2	6
24	031777	WASHER	FLAT 1/2	12
25	031715	CAPSCREW	1/2NCx3-1/2	6
26	047767	BASE		1
27	047816	TANK	FUEL	1
28	013341	PLUG	1/4 NPT HEX HEAD BRASS	1
29	047797	PLUG	2-1/2 NPT	1
30	047769	TANK	CONTAINMENT	1
31	047081	LABEL	DIESEL FUEL ONLY	1
32	047851	CAPSCREW	1/4NCx3/4 SS	16
33	031752	LOCKWASHER	1/4	16
34	047938	NUT	1/2NC NYLOC	4

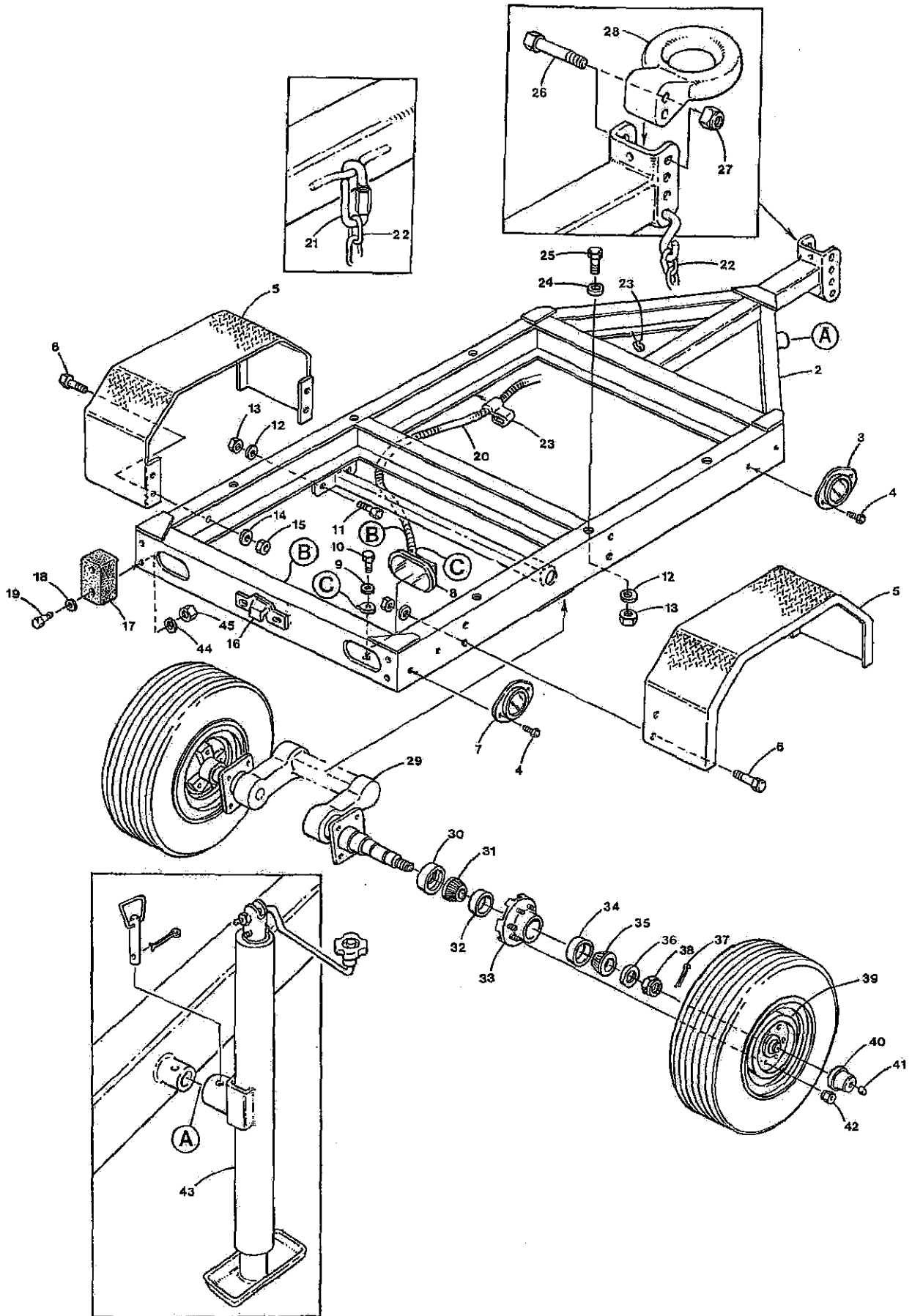
MODEL 25.0 TRD - GENERATOR ENCLOSURE



MODEL 25.0 TRD - GENERATOR ENCLOSURE

REF	PN	NAME	REMARKS	QTY
35	047786	LATCH	ENCLOSURE DOOR W/LOCK	6
36	047772	MOUNT	ENCLOSURE TO GENSET	4
37	031555	CAPSCREW	5/16NCx1	16
38	031758	LOCKWASHER	5/16	16
39	031759	WASHER	FLAT 5/16	16
40	047796	CAP	FUEL TANK INCL CHAIN	1
41	047795	GAUGE	FUEL	1
42	047851	CAPSCREW	1/4NCx3/4 SS	48
43-1	047784	HINGE	LEFT MALE	4
43-2	047785	HINGE	LEFT FEMALE	4
43-3	047792	HINGE	RIGHT MALE	8
43-4	047793	HINGE	RIGHT FEMALE	8
44	047853	NUT	1/4NC NYLOC	48
45	047966	CAPSCREW	10-24x3/4 SS	4
46	047777	CATCH	DOOR LATCH	2
47	031904	NUT	10-24 KEPS SS	4
48	031563	CAPSCREW	5/16NCx3	4
49	031759	WASHER	FLAT 5/16	AR
50	047773	CATCH	DOOR LATCH	4
51	031758	LOCKWASHER	5/16	4
52	031756	NUT	5/16NC	4
53	031828	WASHER	FLAT 5/8	4
54	031753	WASHER	FLAT 1/4	AR

MODEL 25.0 TRD - TRAILER



MODEL 25.0 TRD - TRAILER

REF	PN	NAME	REMARKS	QTY
1	047716	TRAILER		1
2	047771	FRAME	TRAILER	1
3	047799	REFLECTOR	ORANGE	2
4	047851	CAPSCREW	1/4NCx3/4 SS	8
5	047778	FENDER		2
6	031555	CAPSCREW	5/16NCx1	8
7	047800	REFLECTOR	RED	2
8	047801	LAMP	TAIL	2
9	031753	WASHER	FLAT 1/4	3
10	047851	CAPSCREW	1/4NCx3/4 SS	3
11	031707	CAPSCREW	1/2NCx1-1/2	4
12	031776	LOCKWASHER	1/2	10
13	031774	NUT	1/2NC	10
14	031758	LOCKWASHER	5/16	8
15	031756	NUT	5/16NC HEX	8
16	047802	HOLDER	LICENSE PLATE INCL LAMP	1
17	047803	BLOCK	BUMPER	2
18	031765	WASHER	FLAT 3/8	4
19	031615	CAPSCREW	3/8NCx3-1/2	4
20	047806	HARNES		1
21	047789	CONNECTOR	SAFETY CHAIN LINK	2
22	047807	CHAIN	SAFETY	2
23	047808	CLIP	WIRING HARNES	2
24	031777	WASHER	FLAT 1/2	6
25	031706	CAPSCREW	1/2NCx1-1/4	6
26	047855	CAPSCREW	5/8NCx4-1/2	2
27	047856	NUT	5/8NC NYLOC	2
28	047805	RING	TRAILER PINTLE 3"	1
29	047804	AXLE	ASSEMBLY	1
30	047925	SEAL	GREASE	2
31	047931	BEARING	CONE INNER	2
32	047930	CUP	BEARING INNER	2
33	047924	HUB	IDLER STUDD	2
34	047928	CUP	BEARING OUTER	2
35	047929	BEARING	CONE OUTER	2
36	047921	WASHER	SPINDLE	2
37	047926	PIN	COTTER	2
38	047922	NUT	SPINDLE	2
39	047920	WHEEL		2
40	047927	COVER	AXLE HUB	2
41	047932	PLUG	RUBBER AXLE COVER	2
42	047923	NUT	1/2NF WHEEL	12
43	047798	JACK		1
44	031764	LOCKWASHER	3/8	4
45	031762	NUT	3/8NC	4
46	047809	COUPLER	TRAILER 2" BALL-OPTIONAL	1

MODEL 25.0 TRD - MISCELLANEOUS

REF	PN	NAME	REMARKS	QTY
1	046207	GASKET SET	COMPLETE	1
2	046206	KIT	FUEL HARDWARE	1
3	047688	CABLE	BATTERY POSITIVE	1
4-1	047689	CABLE	BATTERY NEGATIVE	1
4-2	024951	CAPSCREW	M10x1.25x20 DIN 961	1
4-3	031789	WASHER	M10 DIN 125	1
4-4	019262	LOCKWASHER	M10 DIN 127	1
5	046197	KIT	BATTERY HOLD-DOWN	1
6	047082	LABEL	GROUND SYMBOL	3
7	047083	LABEL	OPERATION INSTRUCTIONS	1
8	047086	LABEL	HOT PARTS	6
9	047872	MANUAL	OPERATOR'S	1