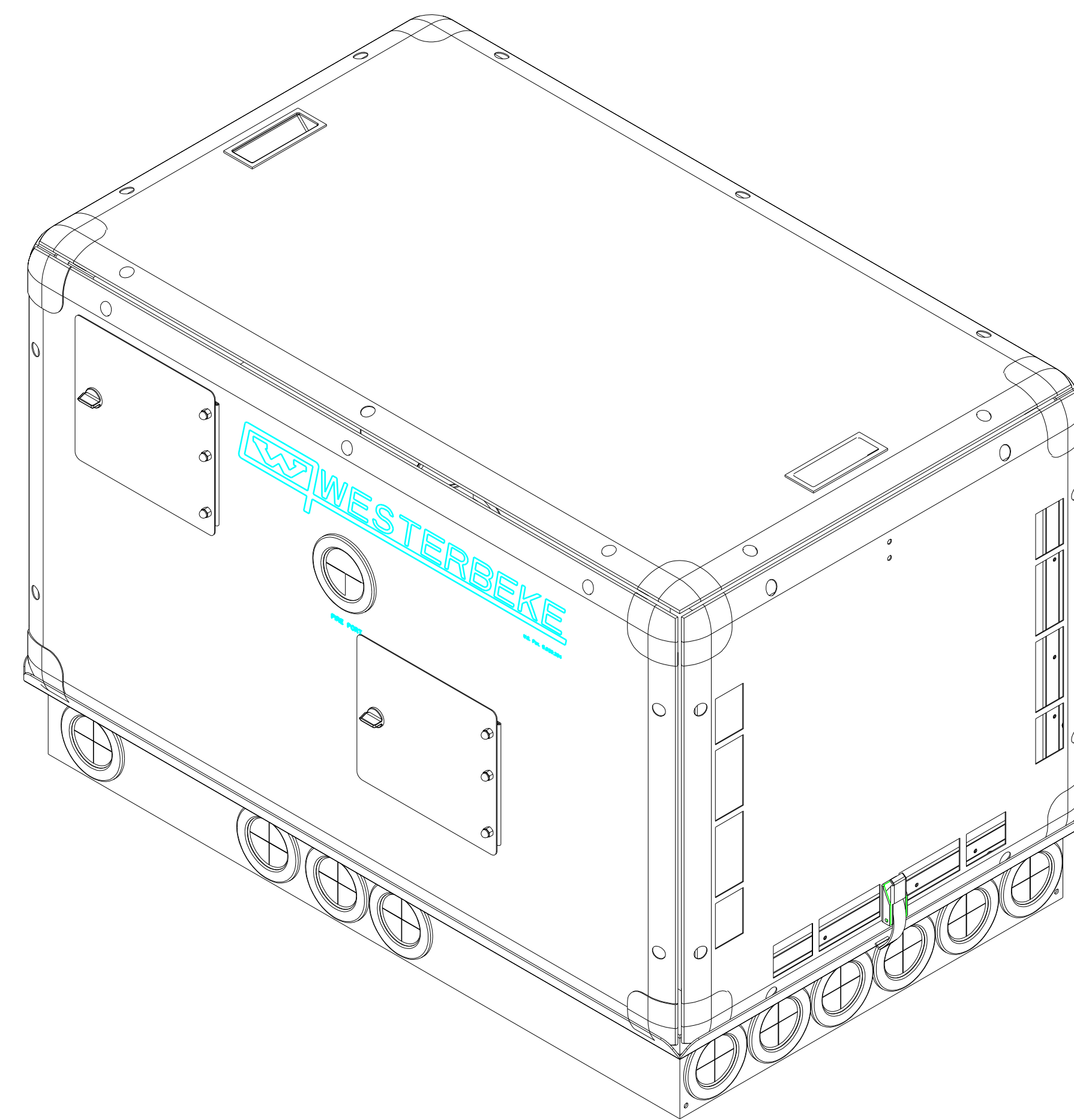
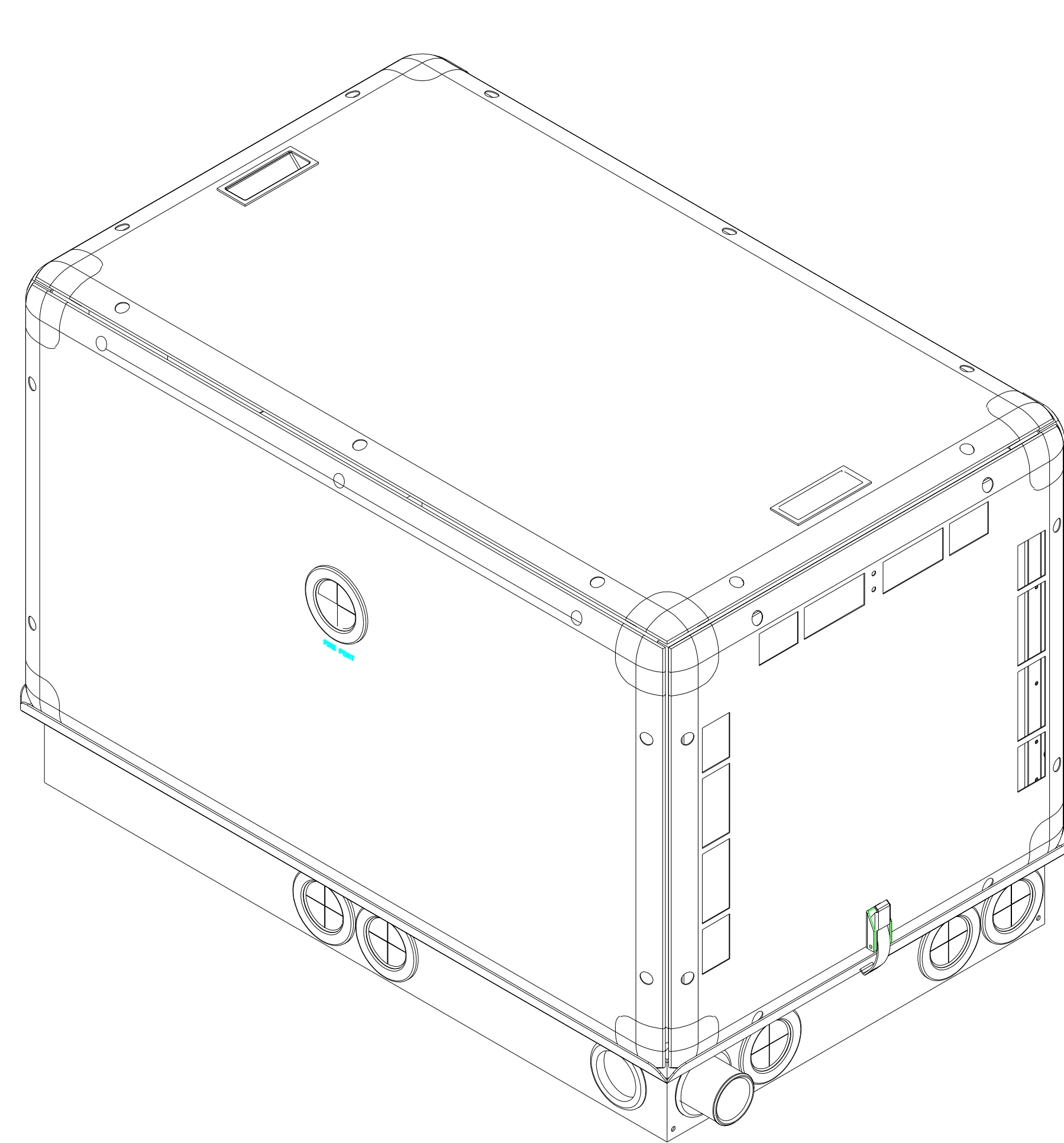
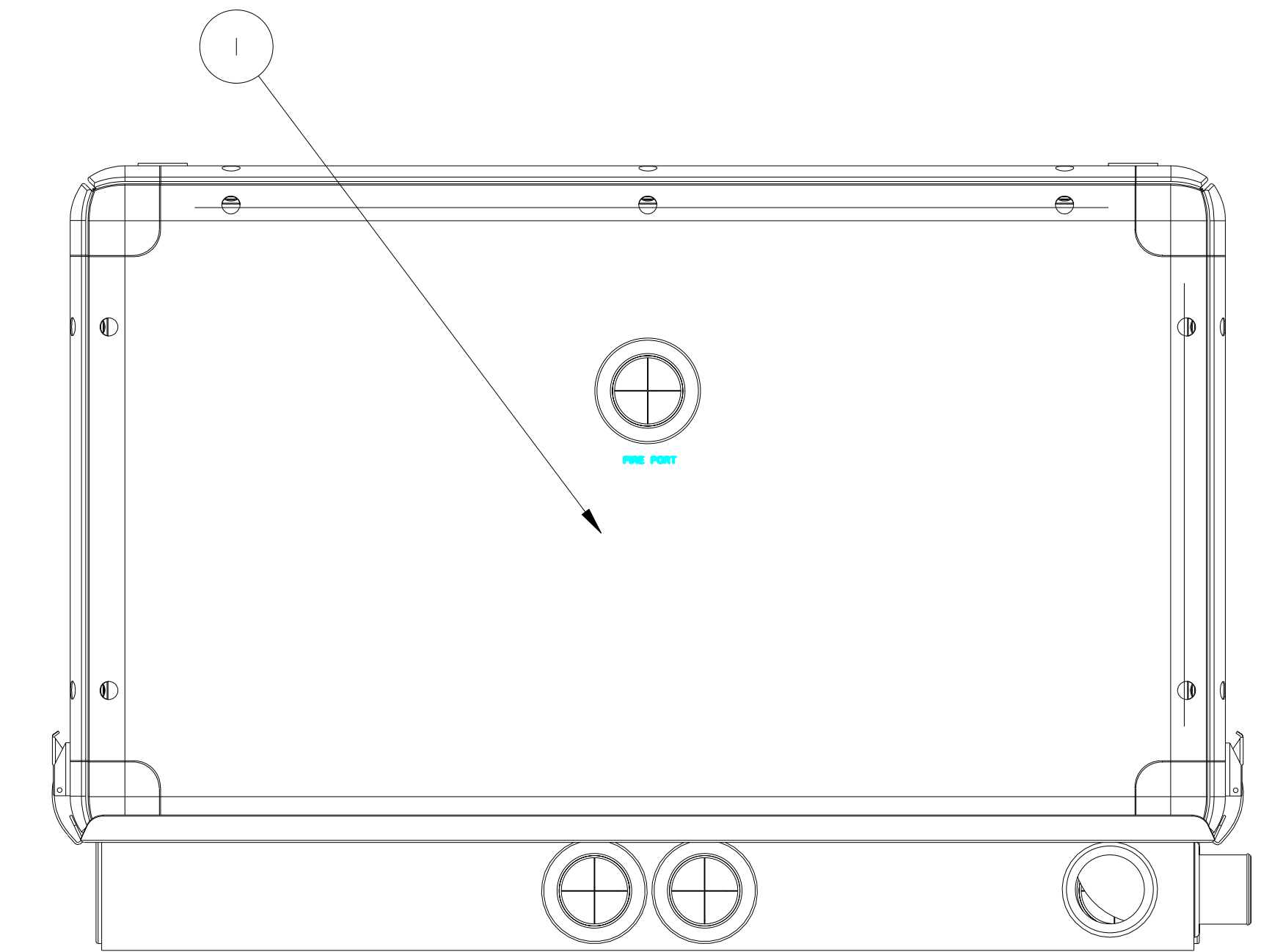
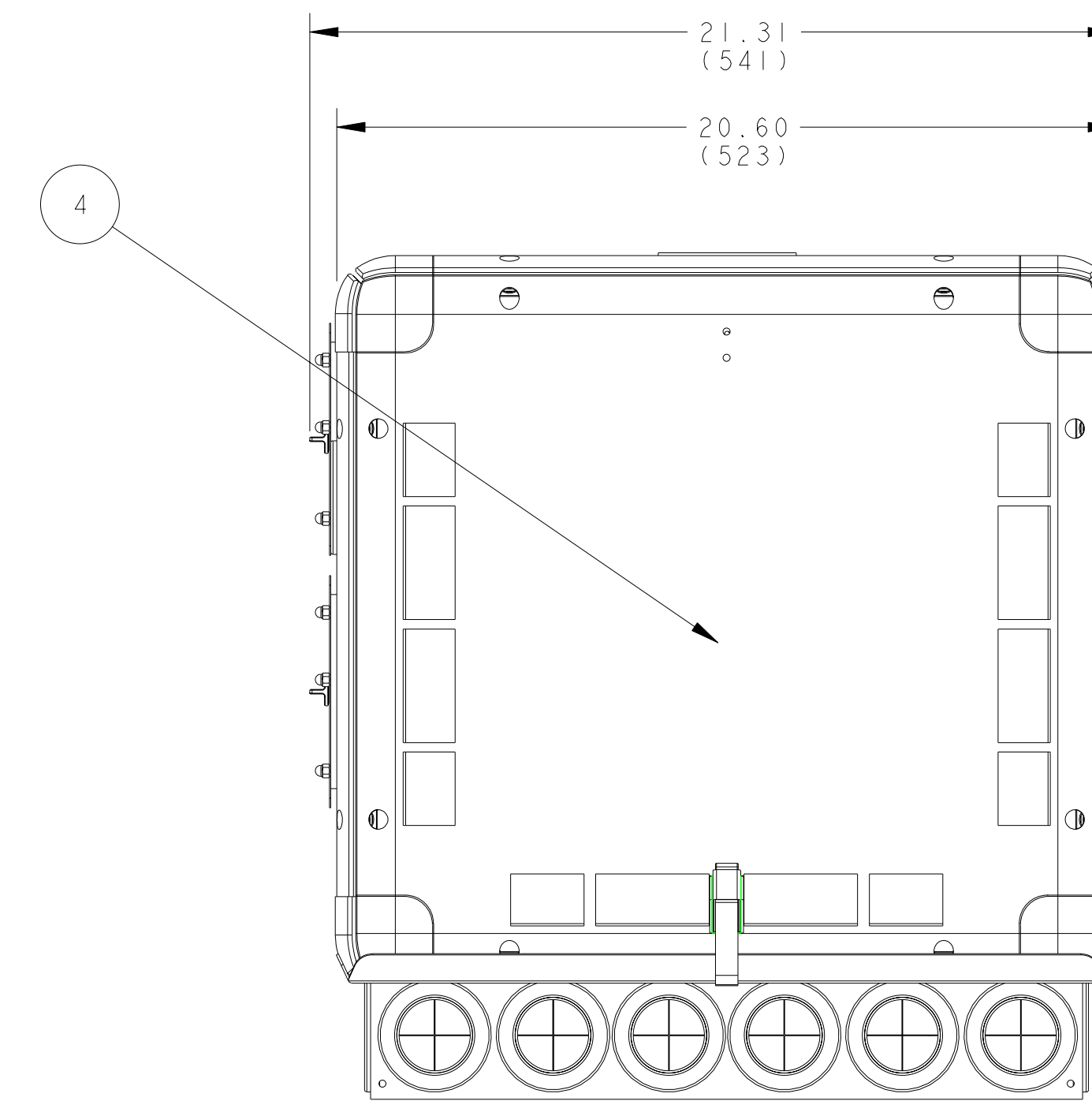
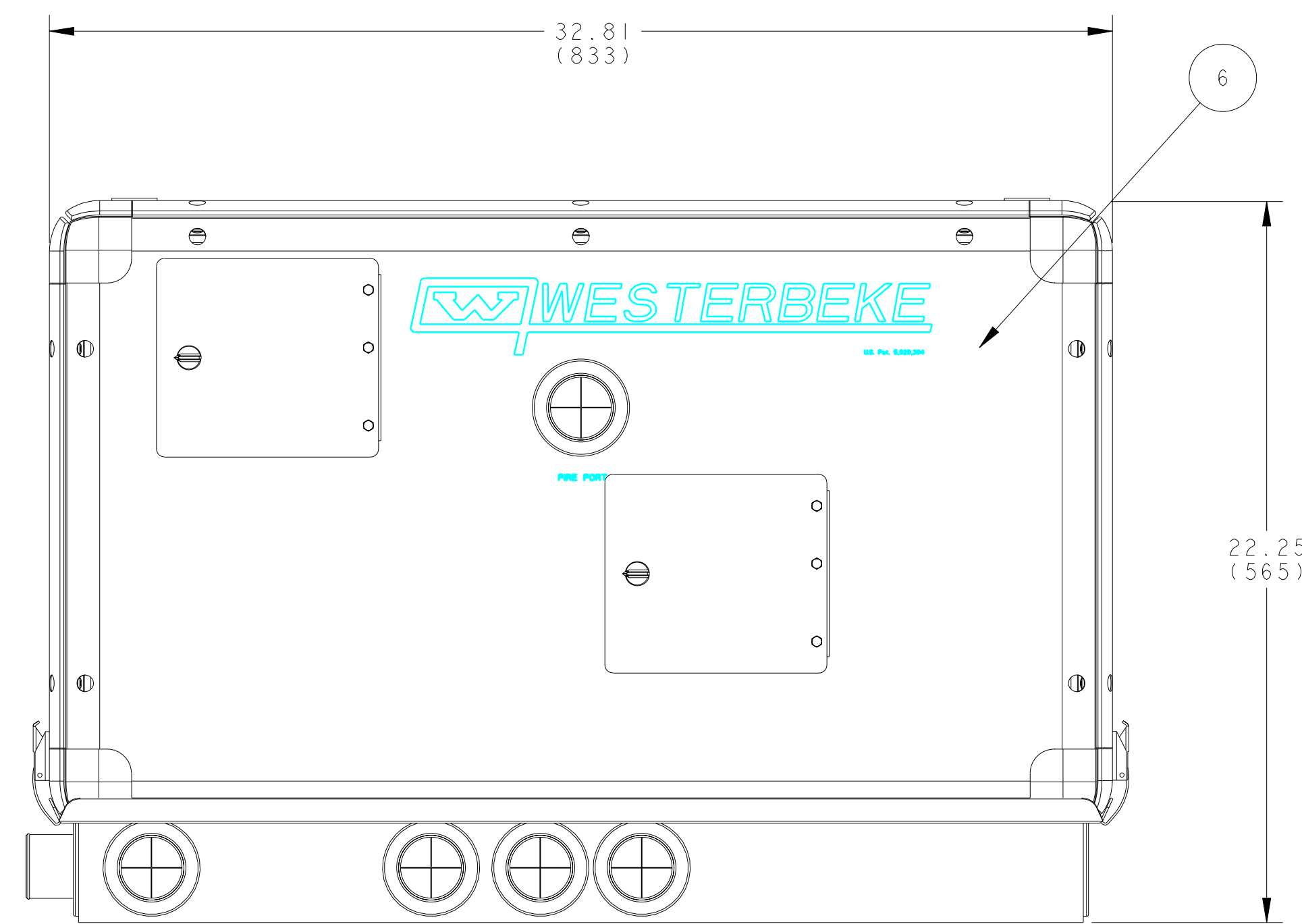
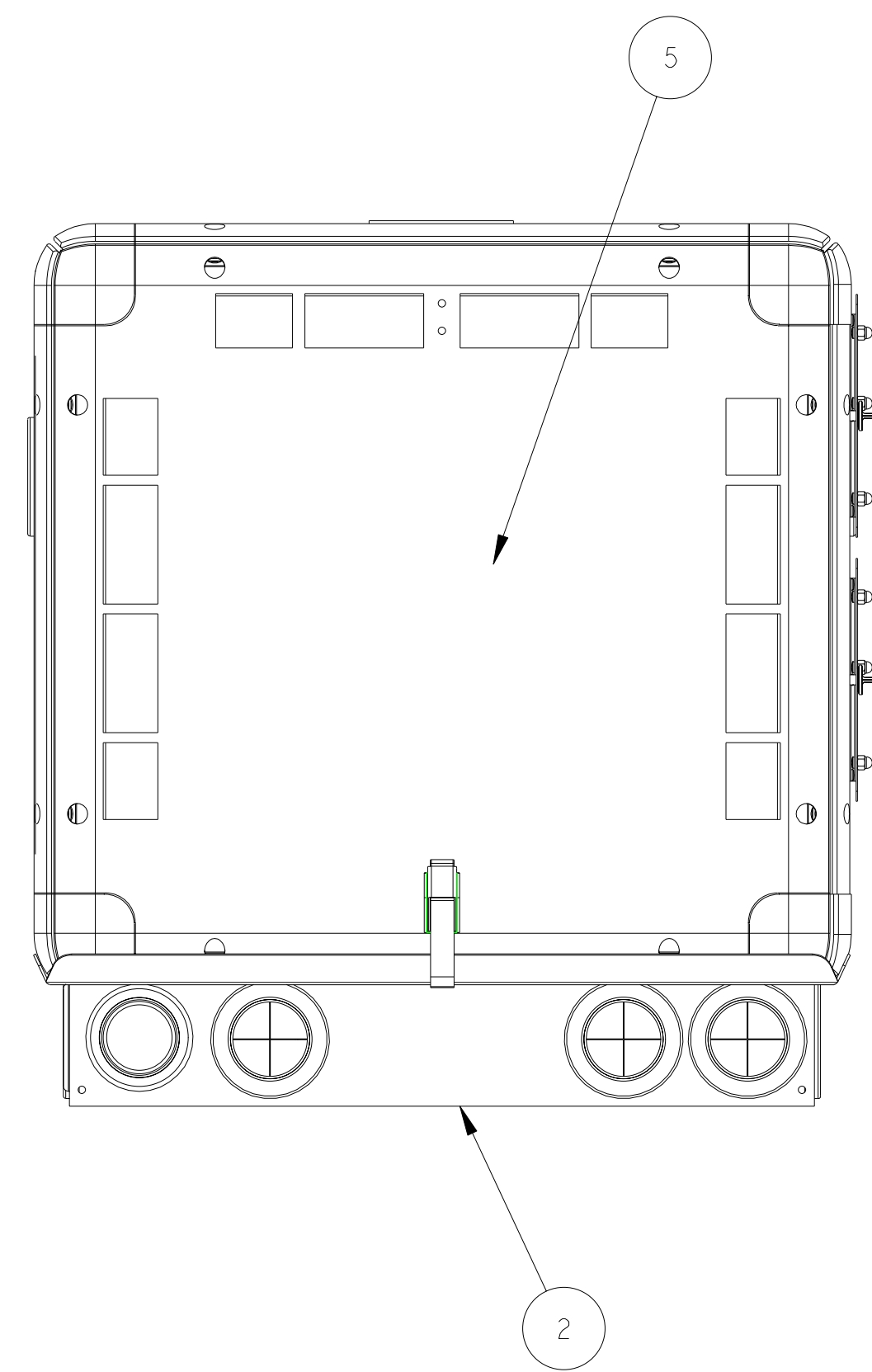
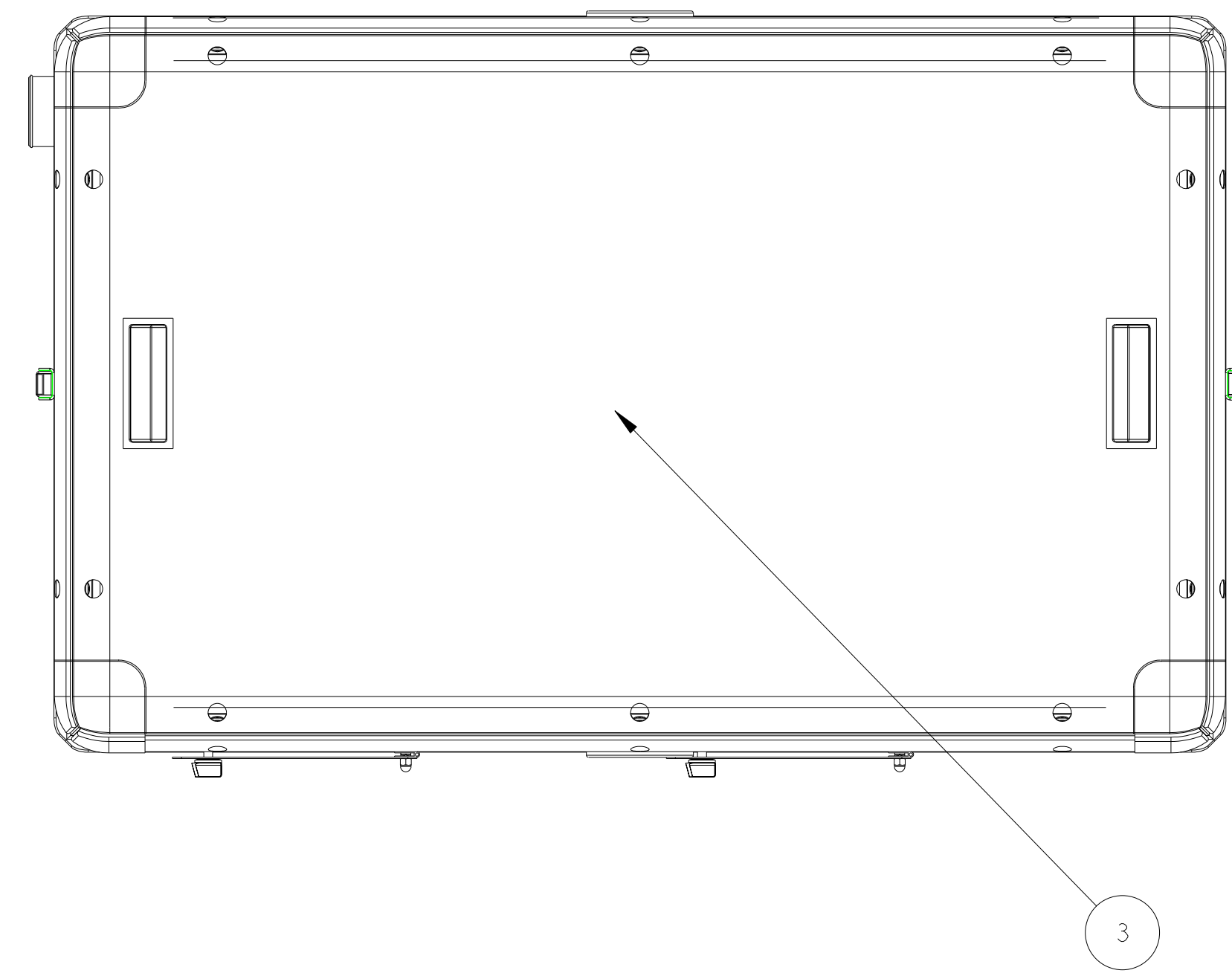


ECO NO.	DATE	REV.	REVISION RECORD	AUTH.	DR. BY
4305	11-18-99	A	ADDED (1) 44273 FORM, INSTALL SG DIESEL	ABK	ABK
5271	4-24-02	B	REMOVED (1) #43359 SIDE PANEL AND ADDED (1) #47632 SERVICE SIDE PANEL	WRM	WRM



NOTES:
1. ITEM'S 7,8,9,10 NOT SHOWN

ITEM	PART No.	QTY.	DESCRIPTION
A	10	1	44273 FORM, INSTALL SG DIESEL 5-32KW
	9	1	37298 COVER, BT GENSET ASSEMBLY
	8	1	44092 CARTON, FILLER
	7	1	44088 CARTON, MASTER PANEL
B	6	1	47632 PANEL, SOUND GUARD - SERVICE SIDE
	5	1	43358 PANEL, SOUND GUARD REAR
	4	1	43357 PANEL, SOUND GUARD FRONT
	3	1	43360 PANEL, SOUND GUARD TOP
	2	1	43270 BASE, SOUND GUARD
B	1	1	43359 PANEL, SOUND GUARD SIDE

TOLERANCES (UNLESS OTHERWISE NOTED)		WESTERBEKE CORPORATION TAUNTON, MA. 02780	
INCHES	MILLIMETERS	DATE	BY/REV/99
.XX	.XX	ABK	SEC/DCM
.XXX	.XX		
CAST	.XX		
FINISH			
DIMENSIONS		APPROVED BY	DATE
INCHES	SCALE 0.250		
MILLIMETERS	SIZE	DRAWING NUMBER	REV.
(WHEN APPLICABLE)	SHT. 1 OF 1	E	43132